



100%  
MADE IN ITALY



# LINDHAUS®

QUALITY CLEANING EQUIPMENT

PROFESSIONAL LINE



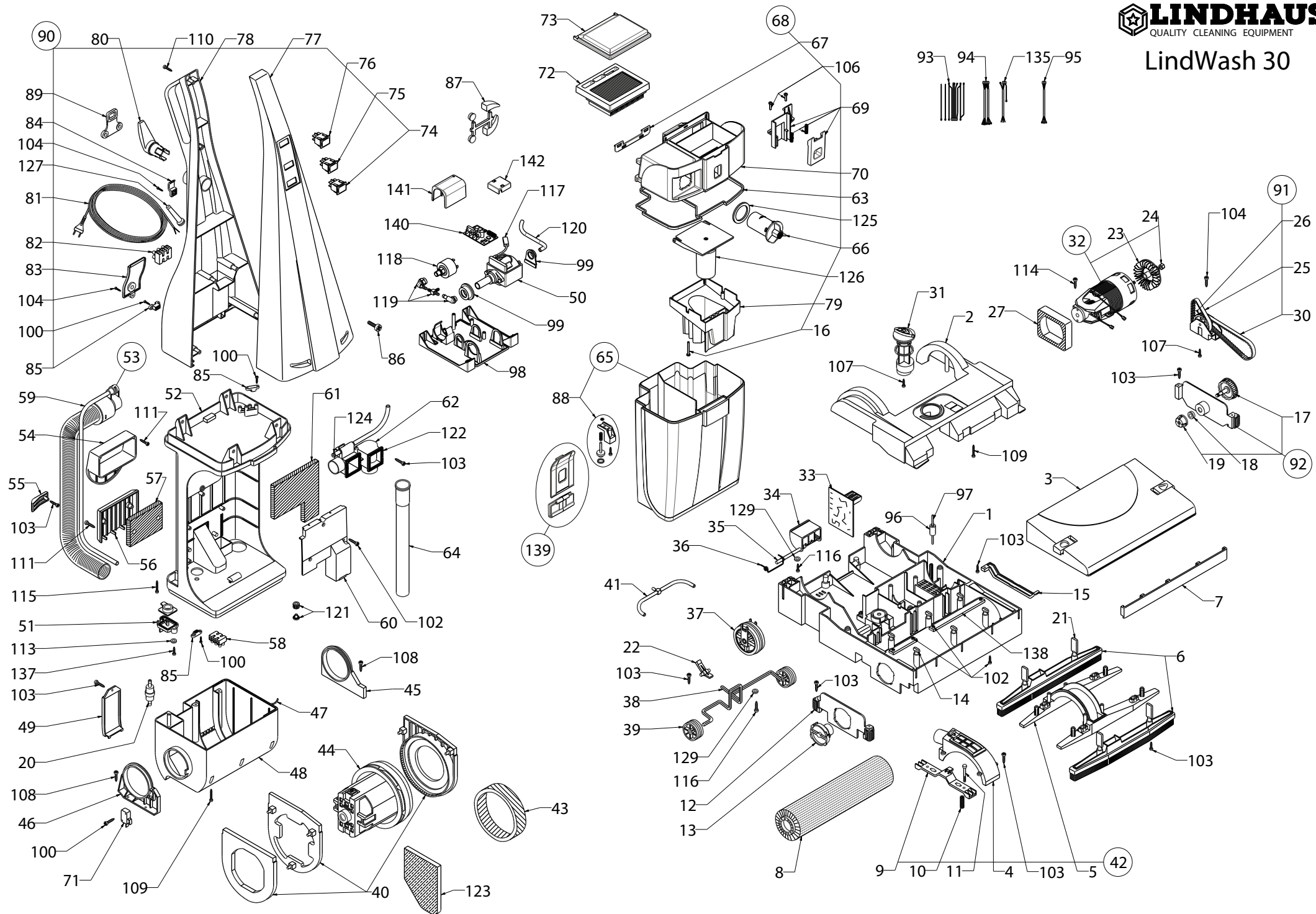
ECO FORCE



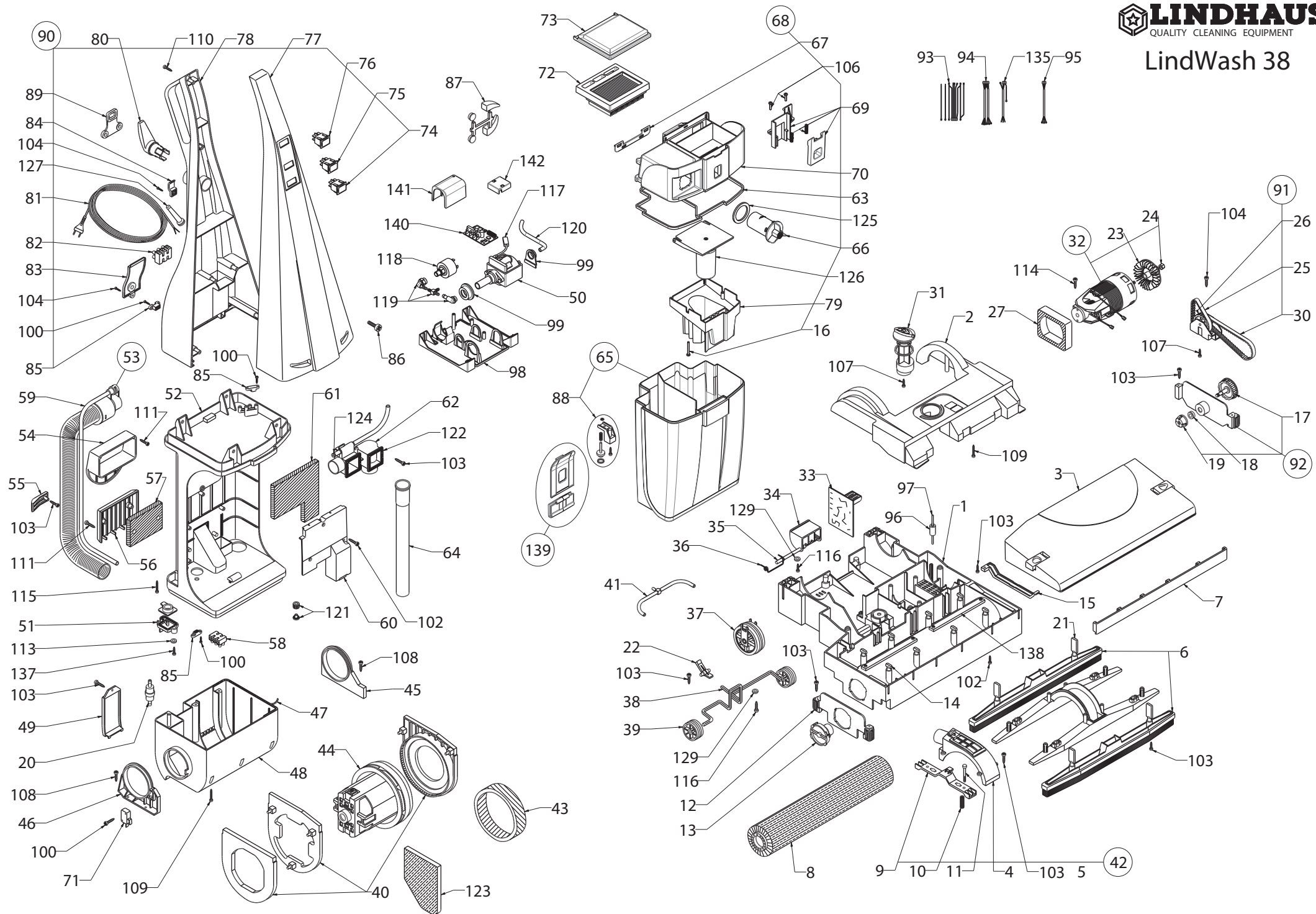
**LW30-38 eco FORCE**  
**SPARE PARTS DIAGRAM**  
**SPARE PARTS LIST**



# LindWash 30



# LindWash 38



Via Belgio, 22 - 35127 Padova - ITALY  
 Tel. +39 049 8700307 Fax +39 049 8700605  
 E-mail: vacuum@lindhaus.it - lindhausrl@pec.it - www.lindhaus.it  
 Reg.Imp.PD-Cod.Fiscale-P.Iva IT02151740285  
 REA 211372 - Capitale Sociale €350.000,00 i.v.  
 Reg.AEE: IT08010000000218 Reg.Pile/Accum.: IT16100P00004235

**LSRC00325**

EFFECTIVE FROM

**01/01/2019**
**LW30-38 eco FORCE - LAVINIA - LINDWASH**

Pos	Code	Description
1	088181281	BASE HOUSING 30
1	088191281	BASE HOUSING 38
2	183074681	BRUSH MOTOR COVER GREY
2	088223681	BRUSH MOTOR COVER WHITE
2	088223781	BRUSH MOTOR COVER SILVER BLUE
3	183084681	FRONT BASE COVER 30 GREY
3	088233681	FRONT BASE COVER 30 WHITE
3	088233781	FRONT BASE COVER 30 SILVER BLUE
3	183094681	FRONT BASE COVER 38 GREY
4	088710081	CONVEYOR COVER
5	006670305	CONVEYOR 30
5	006680305	CONVEYOR 38
6	089650081	KIT SQUEEGEE 30 EASY-DRY
6	089730081	KIT SQUEEGEE 38 EASY-DRY
7	006730112	FRONT BUMPER 30 DARK GREY
7	006733812	FRONT BUMPER 30 BLUE
7	006743812	FRONT BUMPER 38 BLUE
8	088250381	BRUSH ROLLER 30 (12") WITH INSERT BRISTLE 0,15 WHITE
8	088260381	BRUSH ROLLER 38 (14") WITH INSERT BRISTLE 0,15 WHITE
8	088270381	BRUSH ROLLER 30 (12") WITH INSERT BRISTLE 0,20 BLACK
8	088280381	BRUSH ROLLER 38 (14") WITH INSERT BRISTLE 0,20 BLACK
8	087800381	BRUSH ROLLER 30 (12") WITH INSERT BRISTLE 0,25 RED
8	087810381	BRUSH ROLLER 38 (14") WITH INSERT BRISTLE 0,25 RED
8	180090381	POLISHING ROLLER LW30 WITH INSERT WHITE
8	180070381	POLISHING ROLLER LW38 WITH INSERT WHITE
8	180100381	ABRASIVE ROLLER LW30 WITH INSERT RED
8	180080381	ABRASIVE ROLLER LW38 WITH INSERT RED
9	013360329	CONVEYOR SUPPORT
10	088290009	SPRING NOZZLE (20 pcs)
11	088300009	WRAPPING OF 20 PCS SCREW M4x40
12	087820081	SIDE WHEELS SUPPORT
13	087830081	BRUSH SUPPORT KIT WITH BEARING
14	180421381	RED CLIPS+SCREWS LW30-38
15	006781204	BELT COVER
16	089720009	WRAPPING OF 20 PCS SCREW 3,5x38 IX
17	060180081	PULLEY LW30-38 / LS38(FRONT)
18	013420307	V-RING D.10
19	088620081	DRIVE JOINT BASE
20	088590000	WRAPPING OF 10 PROTECTION FILTER PUMP LW30-38
21	007381304	RED CLIP SQUEEGEE
22	013700029	BASE LIFT LEVER
23	006820300	FAN PULLEY

24	088310009	WRAPPING OF 20 PCS NUT M5
25	013440300	TIMING BELT 8 MM L.174
26	086430081	DOUBLE PULLEY WITH BEARINGS
27	010580016	MOTOR FILTER
30	013450300	TIMING BELT 8 MM L.327
31	006830104	ADJUSTING KNOB LIGHT GREY
31	006833804	ADJUSTING KNOB BLUE
32	051450080	BRUSH MOTOR R74/35V V.100/55 W.250
32	051190080	BRUSH MOTOR R74/35V V.120/60 W.250
32	051200081	BRUSH MOTOR R74/35V V.240/50 W.250
33	025610000	CIRCUIT BOARD V.100
33	025390000	CIRCUIT BOARD V.120
33	025400000	CIRCUIT BOARD V.240
34	006840104	FOOT PEDAL
35	013470009	SHAFT FOOT PEDAL
36	013480009	FOOT PEDAL SPRING
37	085490081	REAR WHEEL ASSEMBLY
38	013290009	FRONT WHEEL SHAFT
39	002260000	FRONT WHEEL-RUBBER
40	088320381	GASKET KIT VAC.MOTOR
41	088500000	BASE TUBE KIT
42	088330081	NOZZLE CONVEYOR 30 KIT
42	088340081	NOZZLE CONVEYOR 38 KIT
43	013540316	VAC.MOTOR FILTER
44	089590080	VACUUM MOTOR V.100 WITH GASKETS
44	087850080	VACUUM MOTOR V.120 WITH GASKETS
44	183100081	VACUUM MOTOR V.240 WITH GASKETS
45	006950404	LEFT MOTOR HOUSING SUPPORT
46	006940404	RIGHT MOTOR HOUSING SUPPORT
47	088510000	GASKET MOTOR HOUSING
48	006261233	MOTOR HOUSING
49	006964146	COVER MOTOR HOUSING
50	023300000	PUMP V.100/55
50	023290000	PUMP V.120/60
50	023280000	PUMP V.240/50
51	087860081	VALVE KIT
52	088351201	UPPER HOUSING
53	088520081	SUCTION HOSE ASSY.
54	007010101	TRANSPORT HANDLE
55	007021204	HOSE HOOK
56	007031204	FILTER COVER
57	013550316	EXHAUST FILTER
58	021680400	TERMINAL BLOCK 16A 2 POS.
58	022850400	TERMINAL BLOCK 16A 3 POS.
58	023090400	TERMINAL BLOCK 16A 4 POS.
59	088530000	TUBE D.3 L.730 mm
60	007051204	AIR CONVEYOR
61	013560316	FILTER AIR CONVEYOR
62	088360381	CONVEYOR WATER/AIR
63	013570315	FILTER HOUSING GASKET
64	088370381	INTERNAL TUBE WITH GASKET
65	087880081	WATER TANK AZURE TRANSPARENT
65	087884181	WATER TANK GREY TRANSPARENT
66	007083101	DOSING CUP
67	007091201	LATCH TANK
68	183124181	FILTER HOUSING COMPLETE GREY NEW
69	088140181	LATCH KIT FILTER HOUSING
70	009494101	FILTER HOUSING GREY NEW
71	023520000	MICROSWITCH
72	013580000	WATER FILTER
73	007103101	FILTER COVER

74	025410000	MAIN SWITCH
75	025420000	VACUUM SWITCH
76	023450000	PUMP SWITCH V.100 - 240
77	006884601	FRONT HANDLE GREY NEW
77	006883601	FRONT HANDLE WHITE
77	006883701	FRONT HANDLE SILVER BLUE
78	006891233	REAR HANDLE
79	007773101	ANTI-SPLASH
80	007110101	ROTATING CORD HOOK
81	020200312	CORD.2x1 SCHUKO PLUG
81	020780312	CORD.2x1 UK PLUG
81	021300312	CORD 2x1 AUSTRALIAN PLUG
81	020990312	CORD 2x1 SWISS PLUG
81	023340320	CORD 2x1,25 10,7 MT.(JAPAN)
81	022480020	CORD 3x18 12,5 MT. USA PLUG YELLOW
82	021680400	TERMINAL BLOCK 16A 2 POS.
82	022850400	TERMINAL BLOCK 16A 3 POS.
83	006901201	COVER TERMINAL BLOCK
84	001690110	STRAIN RELIEF GREY
85	000070305	CORD CLAMP
86	088390009	WRAPPING OF 20 PCS SCREW M6x20
87	006910112	RUBBER CUP KIT GREY
87	006913812	RUBBER CUP KIT BLUE
88	087870081	VALVE KIT WATER TANK
89	006040308	ANTI-TEARING CORD SAFETY GUARD
90	088404681	ELECTRIC PANEL CPL.V.240/50 Schuko Plug GREY
90	088403681	ELECTRIC PANEL CPL.V.240/50 WHITE SCHUKO PLUG
90	088403781	ELECTRIC PANEL CPL.V.240/50 SILVER BLUE SCHUKO PLUG
90	088414681	ELECTRIC PANEL CPL.V.240/50 British Plug GREY
90	088424680	ELECTRIC PANEL CPL.V.120/60 GREY
91	087890081	CENTRAL TRANSMISSION SUPPORT WITH BELTS & SCREW
92	087900081	TRASMISSION SUPPORT COMPLETE
93	088540028	WIRES KIT ELECTRIC PANEL V.230
93	089020028	WIRES KIT ELECTRIC PANEL V.120
94	023140320	WIRES KIT UPPER HOUSING V.230
94	023130320	WIRES KIT UPPER HOUSING V.120
95	023630320	WIRES KIT BASE HOUSING V.230
95	023650320	WIRES KIT BASE HOUSING V.120
96	006050104	SIDE WHEEL
97	013490009	SHAFT SIDE WHEEL
98	007420304	PUMP HOLDER
99	088430308	PUMP RUBBER SUPPORT
100	085610009	SCREW 2,9x16 (WRAPPING OF 20 PCS)
102	088990009	SCREW 3,5x9,5 (WRAPPING OF 20 PCS)
103	088440009	SCREW 3,5x13 IX (WRAPPING OF 20 PCS)
104	085560009	SCREW 3,9x16 (WRAPPING OF 20 PCS)
106	088450009	SCREW 3,5x16 IX (WRAPPING OF 20 PCS)
107	089000009	SCREW 4x12 HILO (WRAPPING OF 20 PCS)
108	085550009	SCREW 3,5x25 (WRAPPING OF 20 PCS)
109	087250009	SCREW 3,5x22 (WRAPPING OF 20 PCS)
110	085570009	SCREW 3,5x32 (WRAPPING OF 20 PCS)
111	087260009	SCREW 3,9x22 (WRAPPING OF 20 PCS)
113	087290009	WASHER 4,3 D12 (WRAPPING OF 20 PCS)
114	085580009	SCREW 3,9x19 (WRAPPING OF 20 PCS)
115	089050009	SCREW 4x45 HILO (WRAPPING OF 20 PCS)
116	088980009	SCREW 5x16 HILO (WRAPPING OF 20 PCS)
117	023500028	CORD WITH THERMAL PROTECTOR
118	023380000	PRESSOSTAT PUMP
119	088470000	KIT CONNECTION TUBE
120	088570000	TUBE D.4 L.760 mm
121	088480000	KIT 10+10 WATER FILTERS

122	088490000	N.2 GASKET CONVEYOR
123	013590316	FILTER
124	088560000	WRAPPING OF 20 PCS O-RING 2021
125	013520315	DOSING CUP GASKET
126	088930381	TRIMMER
127	000460307	STRAIN RELIEF D.6 V.100/230/240
127	010830307	STRAIN RELIEF V.100/120 D.8
129	087290009	WASHER 4,3 D12 (WRAPPING OF 20 PCS)
135	023620028	WIRES KIT MOTOR HOUSING V.230
135	023640028	WIRES KIT MOTOR HOUSING V.120
137	089000009	SCREW 4x12 HILO (WRAPPING OF 20 PCS)
138	007403101	KIT SHORT COVER PIPE
138	007413101	KIT LONG COVER PIPE
139	183110181	FRONT HOOK TANK
140	024840000	WATER SENSOR LW30-38 CS5017 V.100-240/50-60
141	007630304	PRESSURE SWITCH PROTECTION
142	007640304	PUMP PROTECTION
	089180081	KIT 3 WATER FILTERS PUMP LW30-38