



100%
MADE IN ITALY



LINDHAUS®

QUALITY CLEANING EQUIPMENT

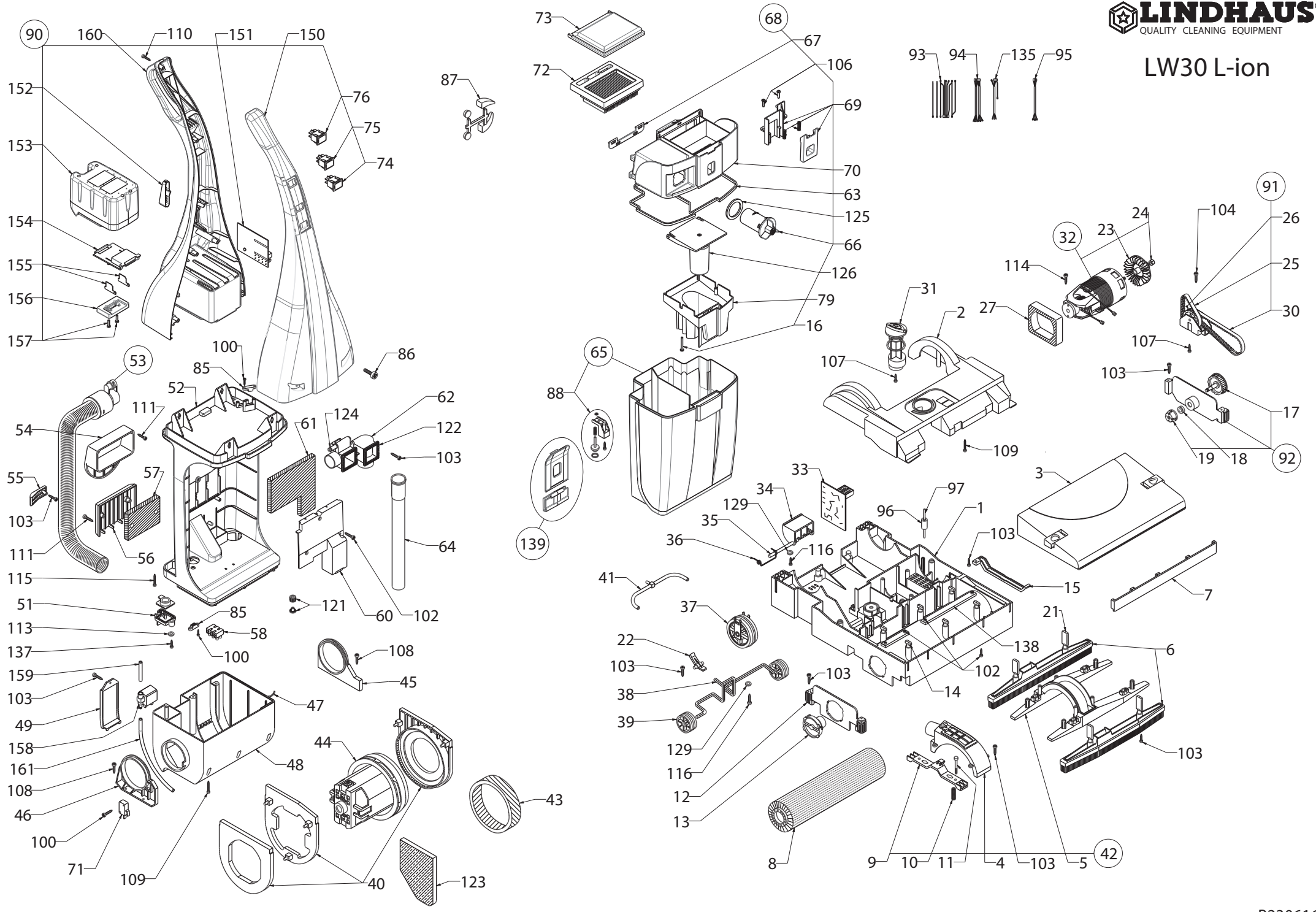
PROFESSIONAL LINE



LW30 L-ion
SPARE PARTS DIAGRAM
SPARE PARTS LIST



LW30 L-ion



Via Belgio, 22 - 35127 Padova - ITALY
 Tel. +39 049 8700307 Fax +39 049 8700605
 E-mail: vacuum@lindhaus.it - lindhausrl@pec.it - www.lindhaus.it
 Reg.Imp.PD-Cod.Fiscale-P.Iva IT02151740285
 REA 211372 - Capitale Sociale €350.000,00 i.v.
 Reg.AEE: IT08010000000218 Reg.Pile/Accum.: IT16100P00004235

LSRC00326

EFFECTIVE FROM

01/01/2019
LW30 L-ion

Pos	Code	Description
1	088181281	BASE HOUSING 30
2	182284681	BRUSH MOTOR COVER GREY LW L-ion
3	182294681	FRONT BASE COVER LW30 L-ion
4	088710081	CONVEYOR COVER
5	006670305	CONVEYOR 30
6	089650081	KIT SQUEEGEE 30 EASY-DRY
7	006733812	FRONT BUMPER 30 BLUE
8	088250381	BRUSH ROLLER 30 (12") WITH INSERT BRISTLE 0,15 WHITE
8	088270381	BRUSH ROLLER 30 (12") WITH INSERT BRISTLE 0,20 BLACK
8	087800381	BRUSH ROLLER 30 (12") WITH INSERT BRISTLE 0,25 RED
8	180090381	POLISHING ROLLER LW30 WITH INSERT WHITE
8	180100381	ABRASIVE ROLLER LW30 WITH INSERT RED
9	013360329	CONVEYOR SUPPORT
10	088290009	SPRING NOZZLE (20 pcs)
11	088300009	WRAPPING OF 20 PCS SCREW M4x40
12	087820081	SIDE WHEELS SUPPORT
13	087830081	BRUSH SUPPORT KIT WITH BEARING
14	180421381	RED CLIPS+SCREWS LW30-38
15	006781204	BELT COVER
16	089720009	WRAPPING OF 20 PCS SCREW 3,5x38 IX
17	060180081	PULLEY LW30-38 / LS38(FRONT)
18	013420307	V-RING D.10
19	088620081	DRIVE JOINT BASE
21	007381304	RED CLIP SQUEEGEE
22	013700029	BASE LIFT LEVER
23	006820300	FAN PULLEY
24	088310009	WRAPPING OF 20 PCS NUT M5
25	013440300	TIMING BELT 8 MM L.174
26	086430081	DOUBLE PULLEY WITH BEARINGS
27	010580016	MOTOR FILTER
30	013450300	TIMING BELT 8 MM L.327
31	006833804	ADJUSTING KNOB BLUE
32	051710081	BRUSH MOTOR R74/35V V.36 CC W.150
33	025130000	CIRCUIT BOARD BRUSH MOTOR V.36
34	006840104	FOOT PEDAL
35	013470009	SHAFT FOOT PEDAL
36	013480009	FOOT PEDAL SPRING
37	085490081	REAR WHEEL ASSEMBLY
38	013290009	FRONT WHEEL SHAFT
39	002260000	FRONT WHEEL-RUBBER
40	088320381	GASKET KIT VAC.MOTOR
41	088500000	BASE TUBE KIT

42	088330081	NOZZLE CONVEYOR 30 KIT
43	013540316	VAC.MOTOR FILTER
44	182210081	VACUUM MOTOR V.36 WITH GASKETS
45	006950404	LEFT MOTOR HOUSING SUPPORT
46	006940404	RIGHT MOTOR HOUSING SUPPORT
47	088510000	GASKET MOTOR HOUSING
48	006261233	MOTOR HOUSING
49	006964146	COVER MOTOR HOUSING
51	087860081	VALVE KIT
52	088351201	UPPER HOUSING
53	182260081	SUCTION HOSE ASSY.
54	007010101	TRANSPORT HANDLE
55	007021204	HOSE HOOK
56	007031204	FILTER COVER
57	013550316	EXHAUST FILTER
58	022810400	TERMINAL BLOCK 16A 5 POS.
60	007051204	AIR CONVEYOR
61	013560316	FILTER AIR CONVEYOR
62	088360381	CONVEYOR WATER/AIR
63	013570315	FILTER HOUSING GASKET
64	088370381	INTERNAL TUBE WITH GASKET
65	087884181	WATER TANK GREY TRANSPARENT
66	007083101	DOSING CUP
67	007091201	LATCH TANK
68	088384181	FILTER HOUSING COMPLETE GREY
68	183124181	FILTER HOUSING COMPLETE GREY NEW
69	088140181	LATCH KIT FILTER HOUSING
70	006934101	FILTER HOUSING GREY
70	009494101	FILTER HOUSING GREY NEW
71	023520000	MICROSWITCH
72	013580000	WATER FILTER
73	007103101	FILTER COVER
74	025410000	MAIN SWITCH
75	025420000	VACUUM SWITCH
76	024070000	PUMP SWITCH V.24
79	007773101	ANTI-SPLASH
85	000070305	CORD CLAMP
86	088390009	WRAPPING OF 20 PCS SCREW M6x20
87	006913812	RUBBER CUP KIT BLUE
88	087870081	VALVE KIT WATER TANK
90	182314681	ELECTRIC PANEL CPL.V.36 WITH CIRCUIT BOARD
91	087890081	CENTRAL TRANSMISSION SUPPORT WITH BELTS & SCREW
92	087900081	TRASMISSION SUPPORT COMPLETE
93	182230028	WIRES KIT ELECTRIC PANEL V.36
94	024870320	WIRES KIT UPPER HOUSING V.36
95	024890320	WIRES KIT BASE HOUSING V.36
96	006050104	SIDE WHEEL
97	013490009	SHAFT SIDE WHEEL
100	085610009	SCREW 2,9x16 (WRAPPING OF 20 PCS)
102	088940009	SCREW 3,5x9,5 IX (WRAPPING OF 20 PCS)
103	088440009	SCREW 3,5x13 IX (WRAPPING OF 20 PCS)
104	085560009	SCREW 3,9x16 (WRAPPING OF 20 PCS)
106	088450009	SCREW 3,5x16 IX (WRAPPING OF 20 PCS)
107	086450009	SCREW 3,9x13 TG (WRAPPING OF 20 PCS)
108	087250009	SCREW 3,5x22 (WRAPPING OF 20 PCS)
109	085550009	SCREW 3,5x25 (WRAPPING OF 20 PCS)
110	086970009	SCREW 3,9x32 (WRAPPING OF 20 PCS)
111	087260009	SCREW 3,9x22 (WRAPPING OF 20 PCS)
113	087290009	WASHER 4,3 D12 (WRAPPING OF 20 PCS)
114	085580009	SCREW 3,9x19 (WRAPPING OF 20 PCS)
115	089050009	SCREW 4x45 HILO (WRAPPING OF 20 PCS)

116	088980009	SCREW 5x16 HILO (WRAPPING OF 20 PCS)
121	088480000	KIT 10+10 WATER FILTERS
122	088490000	N.2 GASKET CONVEYOR
123	013590316	FILTER
124	088560000	WRAPPING OF 20 PCS O-RING 2021
125	013520315	DOSING CUP GASKET
126	088930381	TRIMMER
129	087290009	WASHER 4,3 D12 (WRAPPING OF 20 PCS)
135	024880028	WIRES KIT MOTOR HOUSING V.36
137	089000009	SCREW 4x12 HILO (WRAPPING OF 20 PCS)
138	007403101	KIT SHORT COVER PIPE
139	183110181	FRONT HOOK TANK
150	006884601	FRONT HANDLE GREY NEW
151	025140000	CIRCUIT BOARD V.36
152	100530035	LENS REAR HANDLE
153	025350000	BATTERY V.36 DC 6,0 Ah (into BOX UN)
154	100644605	BATTERY SUPPORT
155	182300000	CONTACTS (WRAPPING OF 20 PCS)
156	100654605	CONTACT COVER
157	087050009	SCREW 3,5x16 (WRAPPING OF 20 PCS)
158	025180000	ELECTROVALVE V.36
159	182240000	TUBE D.4 L.25 mm
160	100631233	REAR HANDLE LW L-ION
161	182250000	TUBE D.3 L.340 mm