



100%
MADE IN ITALY



LINDHAUS®

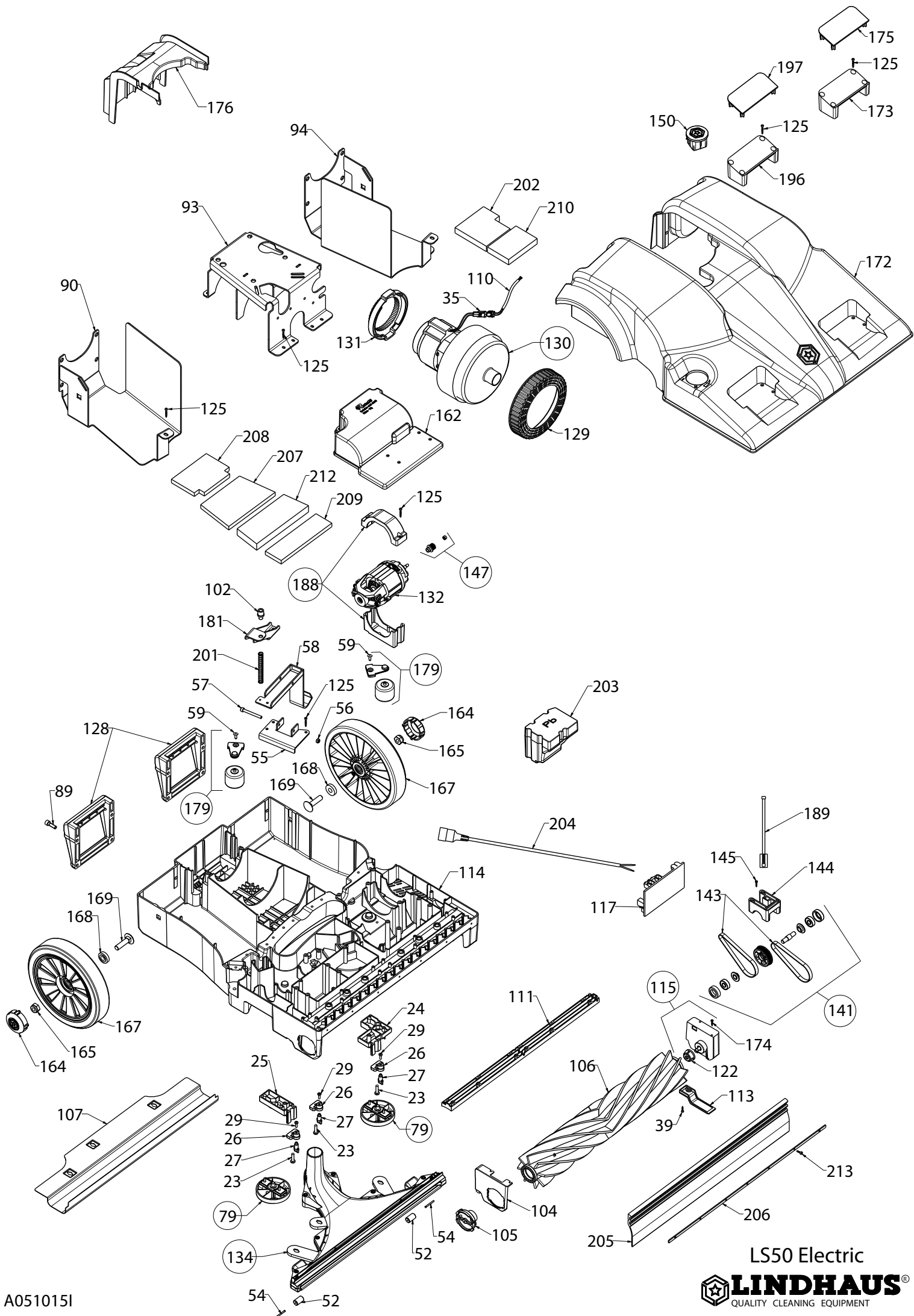
QUALITY CLEANING EQUIPMENT

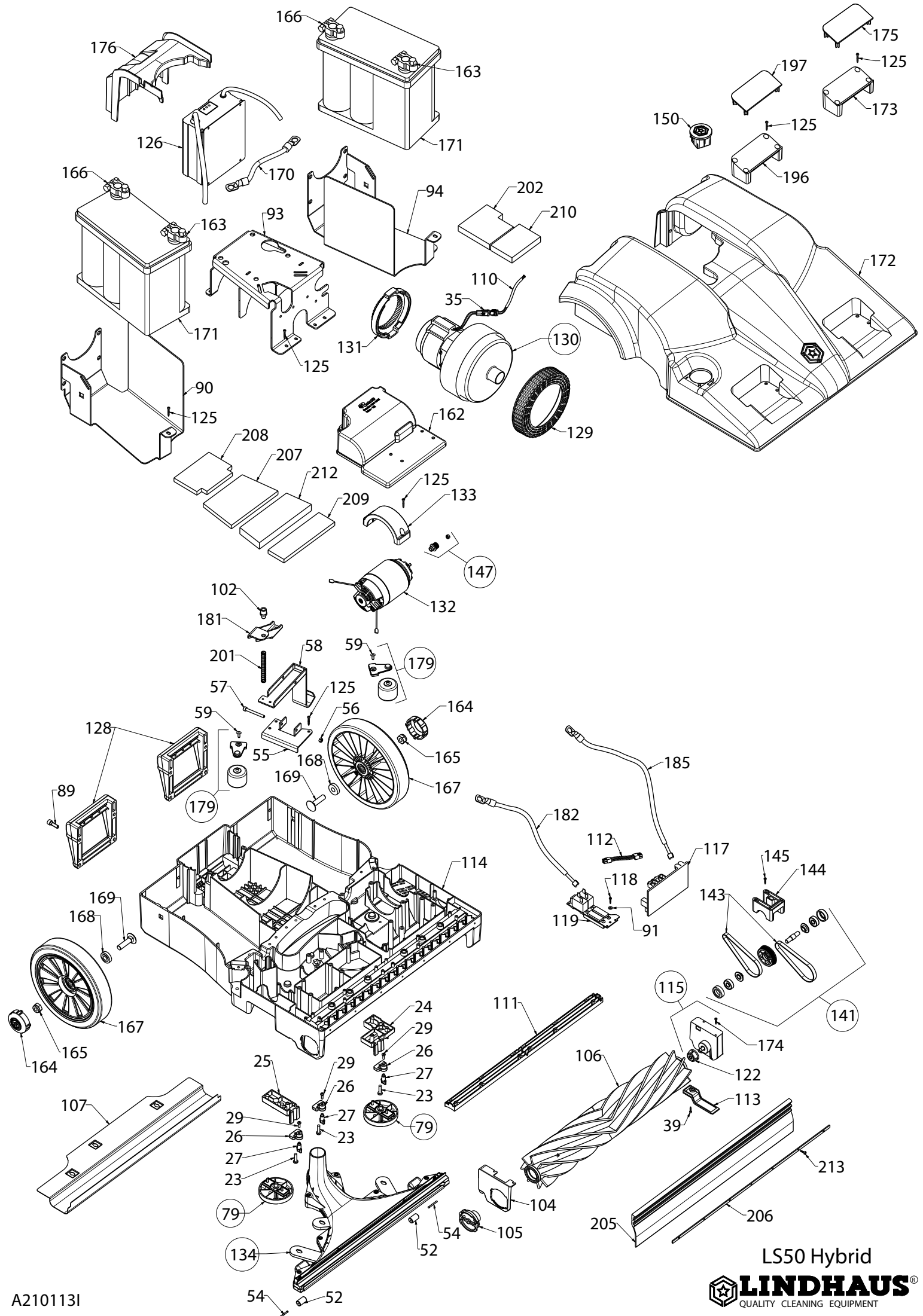
PROFESSIONAL LINE



LS50 Hybrid - Electric
SPARE PARTS DIAGRAM
SPARE PARTS LIST

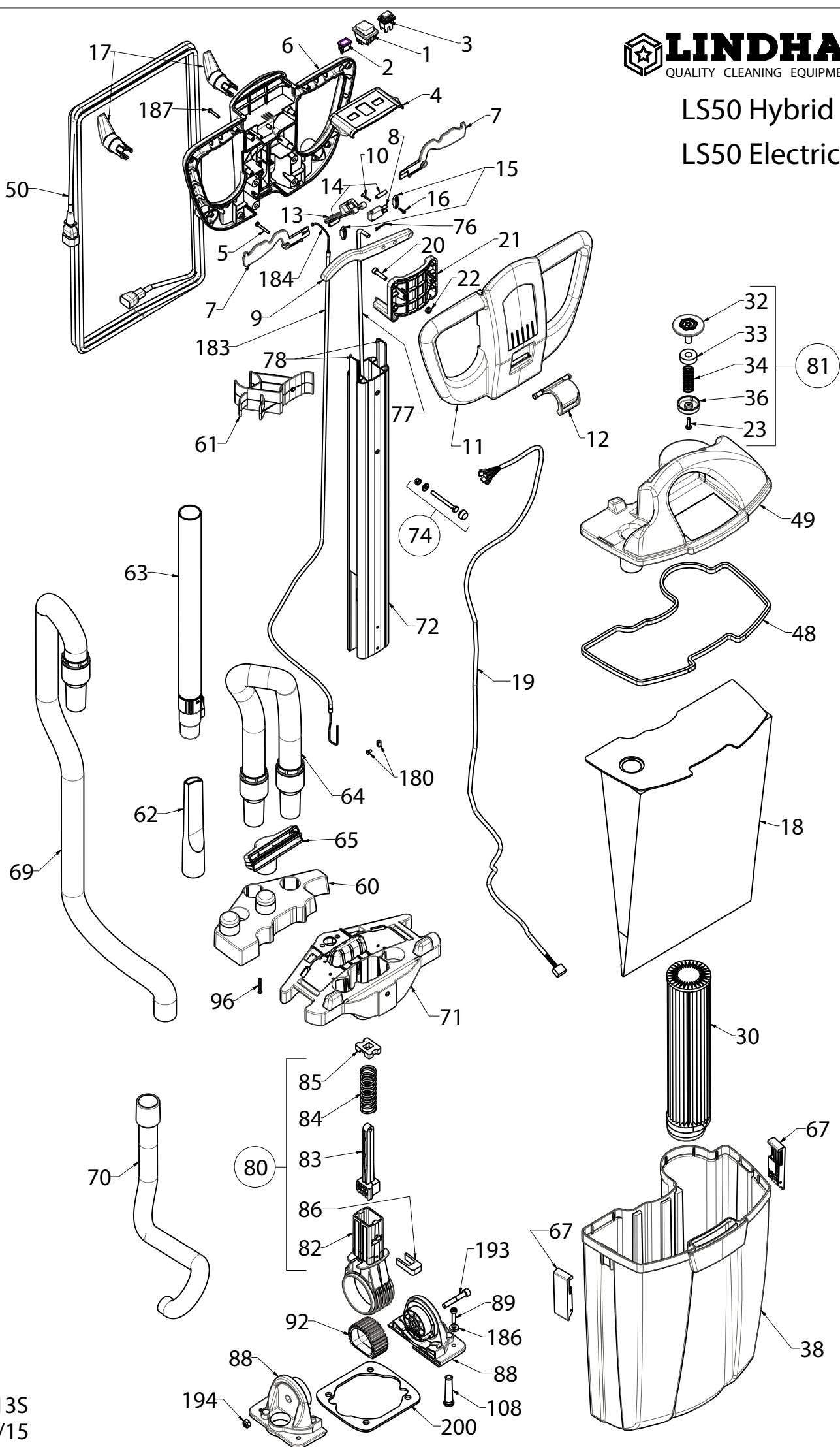






A210113I

LS50 Hybrid
LS50 Electric



Via Belgio, 22 - 35127 Padova - ITALY
 Tel. +39 049 8700307 Fax +39 049 8700605
 E-mail: vacuum@lindhaus.it - lindhausrl@pec.it - www.lindhaus.it
 Reg.Imp.PD-Cod.Fiscale-P.Iva IT02151740285
 REA 211372 - Capitale Sociale €350.000,00 i.v.
 Reg.AEE: IT08010000000218 Reg.Pile/Accum.: IT16100P00004235

LSRC00324

EFFECTIVE FROM

01/01/2019

LS 50 Hybrid - Electric

Pos	Code	Description
1	023610000	MAIN SWITCH
2	024260000	INDICATOR LIGHT V.24
2	020400000	INDICATOR LIGHT V.100-240
3	025420000	VACUUM SWITCH
4	008181201	SWITCHES PLATE
5	085600009	SCREW 3,9x25 (WRAPPING OF 20 PCS)
6	008191233	REAR HANDLE LW46/LS50
7	008203801	LEVER SWITCH BRUSH MOTOR BLUE
8	024100000	MICROSWITCH BRUSH MOTOR LW46/LS50
9	008213805	JOINT LEVER BLUE
10	085530009	SCREW 2,9x19 (WRAPPING OF 20 PCS)
11	181091281	HANDLE FRONT LS50 HYBRID
11	181951281	HANDLE FRONT LS50 ELECTRIC
12	008231239	HOOK FRONT TANK
13	014210029	LEVER BASE LIFTING
14	089930009	AXLE LIFTING LEVER (WRAPPING OF 20 PCS)
15	000070305	CORD CLAMP
16	085610009	SCREW 2,9x16 (WRAPPING OF 20 PCS)
17	007110101	ROTATING CORD HOOK
18	032280019	MICROPORE BAG LS50 16LT (WRAPPING OF 5 PCS)
19	023990320	CORD 7 WIRES (HYBRID)
19	024500320	CORD 7 WIRES (ELECTRIC)
20	089940009	SCREW M6x25 (WRAPPING OF 20 PCS)
21	008253805	HANDLE BRIDGE BLUE
22	089950009	NUT M6 AB (WRAPPING OF 20 PCS)
23	180140009	SCREW 4,8x22 (WRAPPING OF 20 PCS)
24	009281633	WHEEL SUPPORT RIGHT
25	009291633	WHEEL SUPPORT LEFT
26	009271633	SUPPORT CLIP
27	180271381	RED CLIP + SCREWS (WRAPP. OF 20 PCS)
29	088020009	SCREW 3,5x13 (WRAPPING OF 20 PCS)
30	014980000	MOTOR PROTECTION FILTER LS50
32	009311633	SHAKER PRONG
33	015030315	SHAKER GASKET
34	014900009	SHAKER SPRING
35	024120028	WIRES + CONNECTOR VAC MOTOR hybrid
35	024580028	WIRES + CONNECTOR VAC MOTOR electric
36	009321633	SHAKER PLATE
38	181131681	BAG HOUSING
39	087050009	SCREW 3,5x16 (WRAPPING OF 20 PCS)
48	181100081	GASKET TOP HANDLE
49	009343804	TOP HANDLE BAG HOUSING BLUE

50	024140312	CORD.3x1 15 MT SCHUKO PLUG
50	024150312	CORD.3x1 15 MT BRITISH PLUG
50	024160312	CORD.3x1 15 MT SWISS PLUG
50	024170312	CORD.3x1 15 MT AUSTRALIAN PLUG
50	024180020	CORD 3x18 12,5 MT. USA PLUG YELLOW
52	009390104	SIDE WHEEL
54	011230009	SHAFT
55	014960009	LIFTING SUPPORT
56	181110081	NUT M5 (WRAPPING OF 20 PCS)
57	181120081	SCREW M5x45 (WRAPPING OF 20 PCS)
58	014970009	LIFTING LEVER
59	180140009	SCREW 4,8x22 (WRAPPING OF 20 PCS)
60	009380342	ACCESSORY HOLDER
61	009370104	ACCESSORY HOOK
62	030060310	CREVICE TOOL
63	030550300	TELESCOPIC WAND
64	031970300	EXTENSION HOSE WITH SLEEVES
65	030820300	UPHOLSTERY TOOL
67	083570181	KIT SIDE HOOK
69	032310300	HOSE L.1210 mm
70	032300300	HOSE L. 570 mm
71	008470305	SUPPORT TANKS
72	014480011	WAND ALLUMINIUM
74	181060081	SCREW 6x60 + NUT (WRAPPING OF 20 PCS)
76	180110009	BLOCK PIN (WRAPPING OF 20 PCS)
77	014391609	BAR RELEASE JOINT
78	008750307	EXTRUDED WAND COVER
79	087690081	WHEEL KIT
80	089790081	JOINT KIT
81	181070081	SHAKER KIT
82	008860305	JOINT LW46/LS50
83	014610029	BLOCK JOINT
84	014430009	SPRING JOINT
85	014620029	GUIDE SPRING
86	014630029	PLATE BLOCK SPRING
88	180350381	SUPPORT JOINT KIT (2 PCS)
89	180120009	SCREW M6x20 (WRAPPING OF 20 PCS)
90	014221609	MOUNTING PLATE LEFT
91	087290009	WASHER 4,3 D12 (WRAPPING OF 20 PCS)
92	014710029	METAL TEETH INSERT
93	014231609	MOUNTING CENTRAL PLATE
94	014241609	MOUNTING RIGHT PLATE
96	087250009	SCREW 3,5x22 (WRAPPING OF 20 PCS)
102	180290081	ANTIWEAR CORD GUIDE (WRAPPING OF 20 PCS)
104	014250329	SUPPORT SIDE METAL
105	180360081	BRUSH SUPPORT KIT WITH BEARING
106	180880081	BRUSH ROLLER LS50/LW46 DUAL CORE WITH INSERT BRISTLE 0,25 BLACK
106	181220081	BRUSH ROLLER LS50 WITH INSERT BRISTLE 0,40 RED
107	015040009	DCS CONVERTER STAINLESS STEEL
108	000460307	STRAIN RELIEF D.6 V.100/230/240
110	180330081	WIRES PROTECTION TUBE
111	009421233	CHANEL COVER
112	024010028	BOARDS CONNECTION WIRES
113	008550305	COVER TRANSMISSION
114	181141281	BASE LS50 hybrid
114	181961281	BASE LS50 electric
115	089840081	TRANSMISSION SUPPORT CPL.
117	024300000	CIRCUIT CONTROL BOARD V.24 LS50 HYBRID
117	024560000	CIRCUIT CONTROL BOARD LS50 ELECTRIC
118	087260009	SCREW 3,9x22 (WRAPPING OF 20 PCS)
119	023940000	FUSES CIRCUIT BOARD V.24

122	088620081	DRIVE JOINT BASE
125	181150009	SCREW 4,8X45 (WRAPPING OF 20 PCS)
126	023900000	CHARGER BATTERY 24V LW46/LS50
128	008270305	HANDLE REAR
129	008830307	GASKET SUCTION GROUP
130	181000081	VACUUM MOTOR R31ALSS V.24 CC W.360 HYBRID
130	181970080	VACUUM MOTOR R31ALSS V.120/60 W.600
130	181970081	VACUUM MOTOR R31ALSS V.240/50 W.600 ELECTRIC
131	000220308	GASKET FAN COVER
132	051520081	BRUSH MOTOR R77MP V.24 CC W.150
132	051600080	BRUSH MOTOR R74/45 V.120/60 W.300
132	051570081	BRUSH MOTOR R74/45 V.240/50 W.300
133	008580305	BRIDGE BRUSH MOTOR
134	181081281	SUCTION NOZZLE COMPLETE
141	180150081	DOUBLE PULLEY KIT
143	014400300	TIMING BELT 8,5 MM
144	008590305	BRIDGE DOUBLE TRANSMISSION
145	085570009	SCREW 3,5x32 (WRAPPING OF 20 PCS)
147	183050081	PINION + NUT LW46-LS50
150	009301633	CAP WITH LOGO
162	008620305	COVER MOTOR - CIRCUIT BOARD
163	014070014	BATTERY POLE -
164	180173881	COVER REAR WHEELS BLUE (WRAPPING OF 2)
165	180180009	NUT M10 AB (WRAPPING OF 20 PCS)
166	014060014	BATTERY POLE +
167	060230081	REAR WHEEL D.200
168	180190009	SPACER REAR WHEEL (WRAPPING OF 20 PCS)
169	180200009	SCREW WHEEL M10x45 (WRAPPING OF 20 PCS)
170	024060012	BATTERY - BATTERY CABLE
171	023960000	BATTERY OPTIMA YT S 2.7 12V
172	180323881	BASE COVER WITH BLUE LOGO
173	014270029	FRONT HANDLE RIGHT
174	088020009	SCREW 3,5x13 (WRAPPING OF 20 PCS)
175	008653805	COVER FRONT HANDLE RIGHT BLUE
176	180584181	COVER BATTERY CHARGER
179	089903881	SIDE WHEELS BLUE, SUPPORT, SCREW (WRAPP. OF 2PCS.)
180	014670009	CORD BLOCK
181	014291609	SUPPORT PLATE
182	024050012	BATTERY-BOARD CABLE BLACK
183	014690009	CORD PROTECTION GUIDE
184	014680009	FLEX STEEL CORD
185	024040012	BATTERY-BOARD CABLE RED
186	180210009	WASHERS 6x18 (WRAPPING OF 20 PCS)
187	086970009	SCREW 3,9x32 (WRAPPING OF 20 PCS)
188	181980381	KIT MOTOR SUPPORT (electric)
189	024570000	SPEED SENSOR (electric)
193	180250009	SCREW M8x50 (WRAPPING OF 20 PCS)
194	180260009	NUT M8 AB (WRAPPING OF 20 PCS)
196	014280029	FRONT HANDLE LEFT
197	008663805	COVER FRONT HANDLE LEFT BLUE
200	014300315	JOINT GASKET
201	014320009	SPRING BASE LIFTING
202	014550316	SOUND INSULATION
203	014160000	BALLAST PB
204	024720028	INTERNAL CABLE
205	180370381	FRONT BUMPER
206	014920009	STAINLESS STEEL PLATE
207	014340316	FILTER INTAKE COOLING AIR
208	014350316	FILTER EXHAUST COOLING AIR
209	014360316	FILTER EXHAUST SUCTION AIR
210	014700316	SOUND INSULATION

212	014720016	FOAM FILTER BASE
213	085590009	SCREW 3,9x13 (WRAPPING OF 20 PCS)