



100%
MADE IN ITALY



LINDHAUS®

QUALITY CLEANING EQUIPMENT

PROFESSIONAL LINE

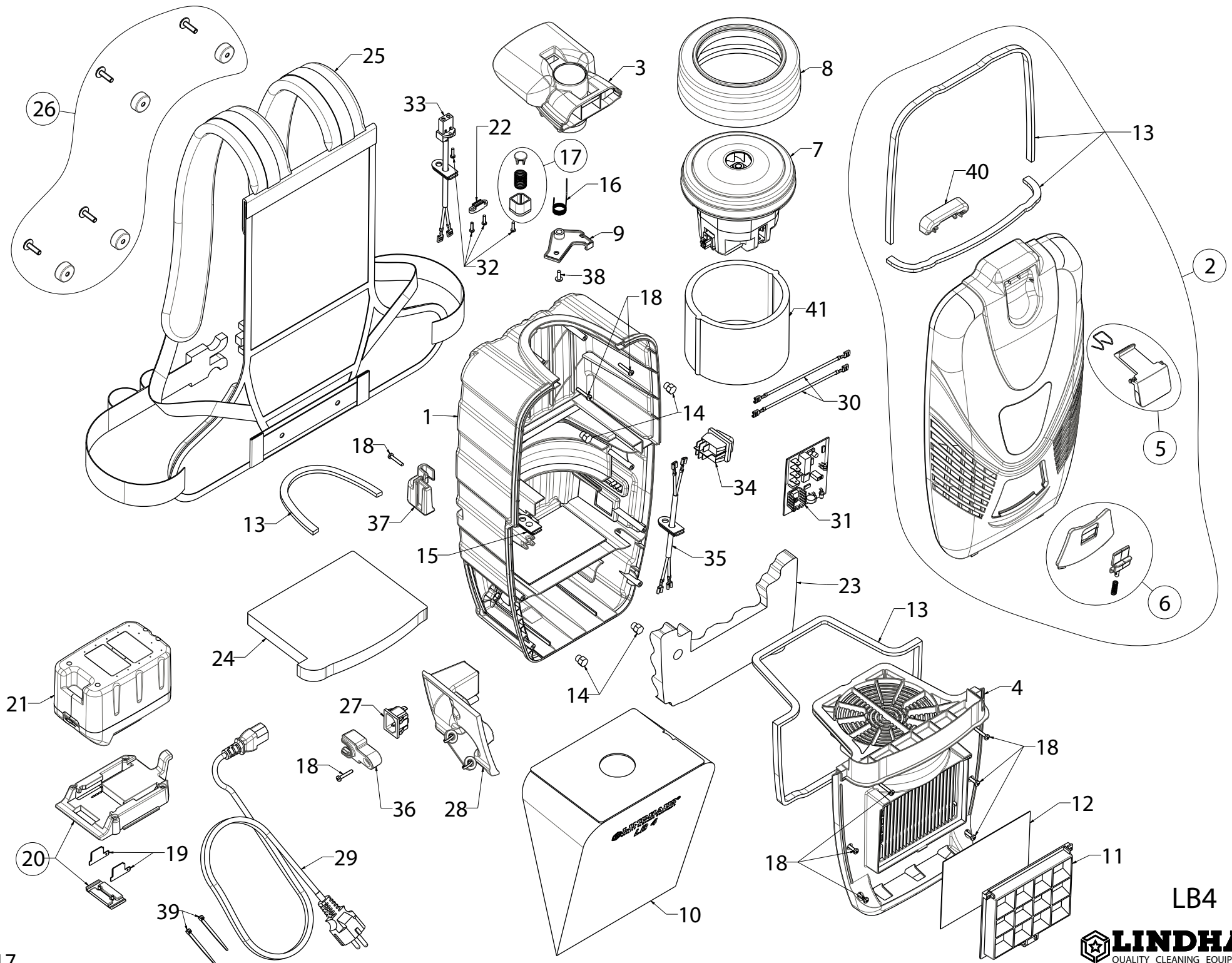


ECO FORCE



LB4 L-ion/Electric Superleggera
SPARE PARTS DIAGRAM
SPARE PARTS LIST





LB4

Via Belgio, 22 - 35127 Padova - ITALY
 Tel. +39 049 8700307 Fax +39 049 8700605
 E-mail: vacuum@lindhaus.it - lindhausrl@pec.it - www.lindhaus.it
 Reg.Imp.PD-Cod.Fiscale-P.Iva IT02151740285
 REA 211372 - Capitale Sociale €350.000,00 i.v.
 Reg.AEE: IT0801000000218 Reg.Pile/Accum.: IT16100P00004235

LSRC00339

EFFECTIVE FROM

01/01/2019
LB4

Pos	Code	Description
1	182821281	BAG HOUSING
2	182834681	BAG COVER COMPLETE (LB4 L-ION)
2	182844681	BAG COVER COMPLETE (LB4 electric)
3	100973801	HANDLE (L-ION)
3	100983801	HANDLE (ELECTRIC)
4	182851281	MOTOR HOUSING COVER
5	182863881	BAG DOOR LATCH KIT
6	182874681	BLOWER DOOR KIT
7	051800081	VACUUM MOTOR R139/20 APS V.36/DC W.400
7	051610081	VACUUM MOTOR R139APS V.240/50-60 W.750
7	051850080	VACUUM MOTOR R139APS V.120/60 W.750
8	013630300	GASKET MOTOR
9	100961304	SAFETY LATCH
10	032580081	WRAPPING OF 8 Microfiber BAGS LB4+2 microfilters+1 motor protection filter
11	003360100	EXHAUST GRILL
12	083770081	Exhaust Microfilters 5 pcs
13	182890081	GASKET (3 MT.)
14	182900009	INSERTS M6 (WRAP.20 PCS)
15	182910081	STRAIN RELIEF (5+5 PCS)
16	182920009	SPRING SAFETY LATCH (WRAP.10 PCS)
17	182930081	VALVE KIT (ELECTRIC)
18	087250009	SCREW 3,5x22 (WRAPPING OF 20 PCS)
19	182300000	CONTACTS (WRAPPING OF 20 PCS)
20	182944680	BATTERY SUPPORT KIT
21	025350000	BATTERY V.36 DC 6,0 Ah (into BOX UN)
22	182950380	CORD CLAMP (WRAP.20 PCS)
23	015660016	FILTER MOTOR
24	015650316	FILTER MOTOR PROTECTION
25	032590000	BACK PACK KIT
26	182960081	SCREWS M6x20 TG + SPACERS (20+20)
27	025730300	POWER INLET CONNECTOR BLACK 2 WAY
27	025240300	POWER INLET CONNECTOR BLACK 3 WAY
28	182971281	PLUG SUPPORT PLATE
29	025690312	CORD.2x1 12,5 MT SCHUKO PLUG
29	025700312	CORD.2x1 12,5 MT BRITISH PLUG
29	025710312	CORD.2x1 12,5 MT SWISS PLUG
29	025720312	CORD.2x1 12,5 MT AUSTRALIAN PLUG
29	024180020	CORD 3x18 12,5 MT. USA PLUG YELLOW
30	182980028	WIRES KIT LB4 L-ION
30	182990028	WIRES KIT LB4 ELECTRIC V.120
30	025530028	WIRES KIT LB4 ELECTRIC V.230-240
31	025670000	CIRCUIT BOARD V.36 DC LB4 L-ION

32	085610009	SCREW 2,9x16 (WRAPPING OF 20 PCS)
33	183000028	PLUG/CABLE KIT LB4 ELECTRIC
34	023610000	MAIN SWITCH
35	025460028	WIRE KIT BATTERY-SWITCH LB4 L-ION
35	025500320	WIRE KIT PLUG-SWITCH LB4 ELECTRIC V.230-240
35	025520320	WIRE KIT PLUG-SWITCH LB4 ELECTRIC V.120
36	101081201	PLUG RETAINER
37	101071233	BRUSH SUPPORT
38	086450009	SCREW 3,9x13 TG (WRAPPING OF 20 PCS)
39	183010081	STRING (WRAP.20 PCS)
40	101110101	LATCH RETAINER
41	015730016	FOAM MOTOR FILTER
	015740013	TELESCOPIC WAND
	183020081	FLEX HOSE w/HANDLE AND SUCTION CONTROL
	031260310	CREVICE TOOL
	031270310	SWIVEL ROUND BRUSH
	086504681	FLOOR TOOL M28R x LB4
	031750310	UPHOLSTERY TOOL WITH BRISTLES
	183140081	HANDLE GRIP KIT FOR EXTENTION HOSE
	183370081	SLEEVE KIT FOR EXTENTION HOSE LB4