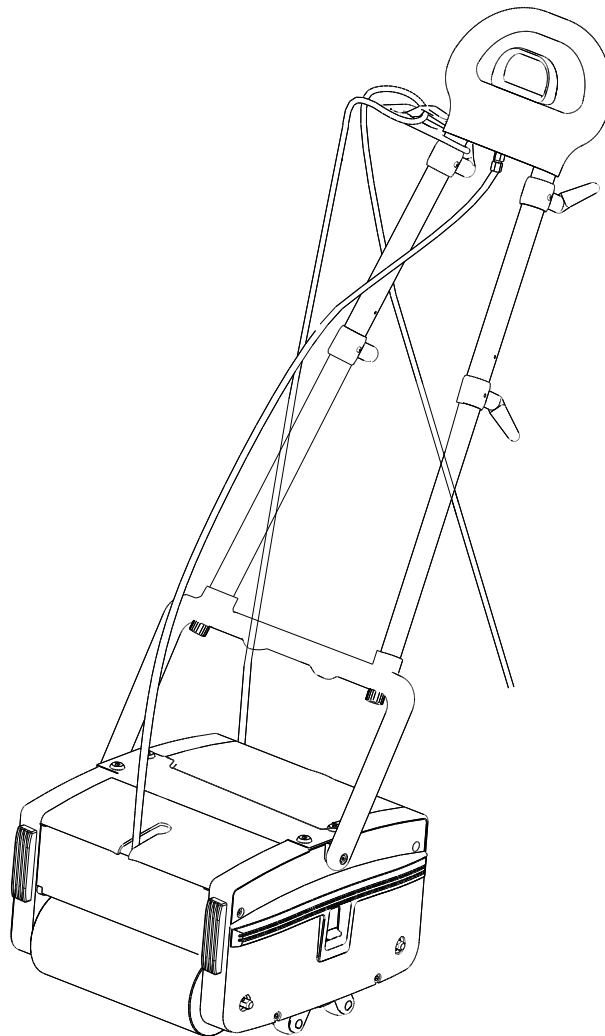


**Multiwash II**  
240

**Multiwash II**  
240/Pump

**TRUVOX**<sup>TM</sup>  
INTERNATIONAL  
A TACONY COMPANY

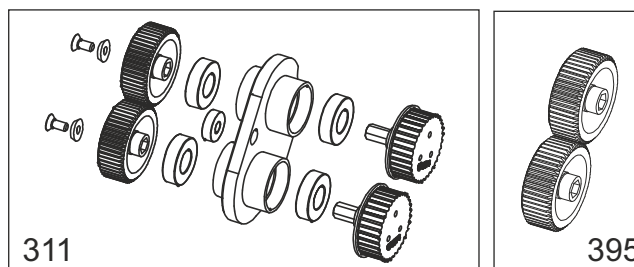
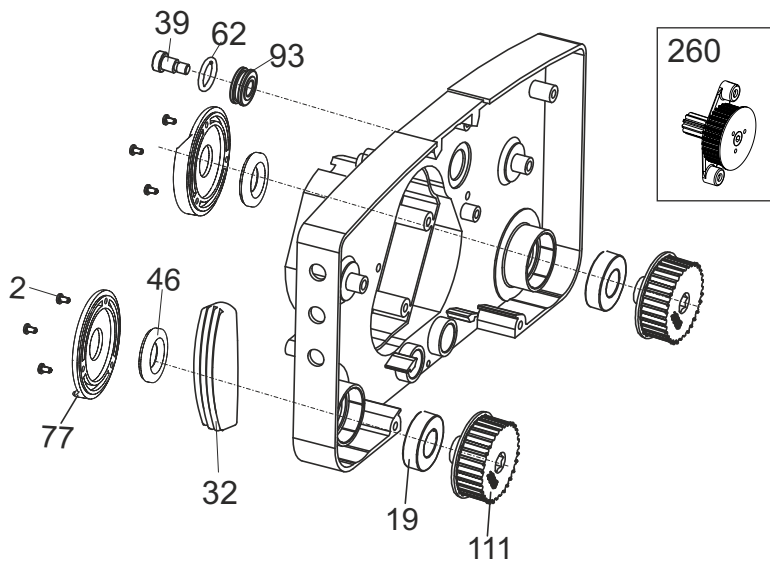
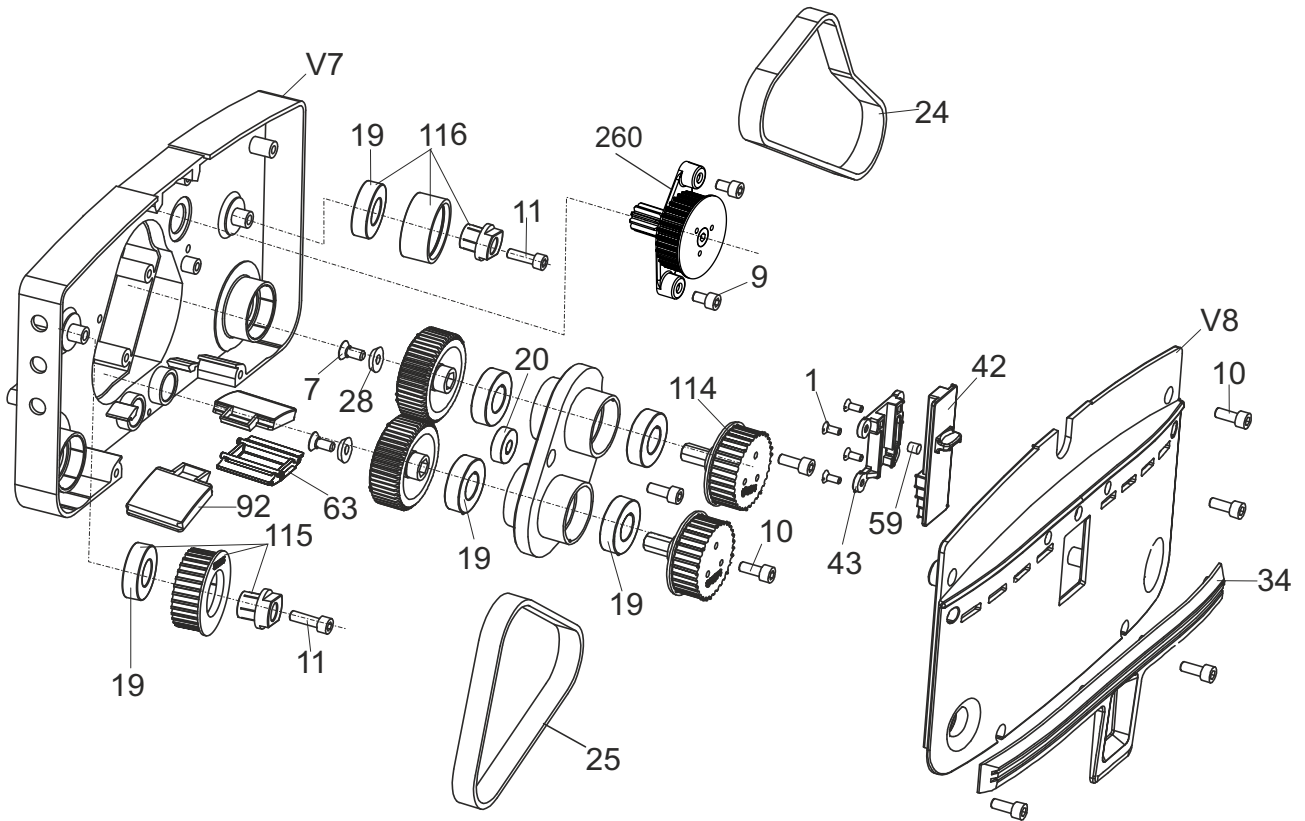


P/N : 557250328-00  
Updated : 28-09-2021  
Series : 'D'

## Spare Parts List

03-8276-0000  
Issue : 03

# HOUSING - DRIVE SIDE - MW 240/240P

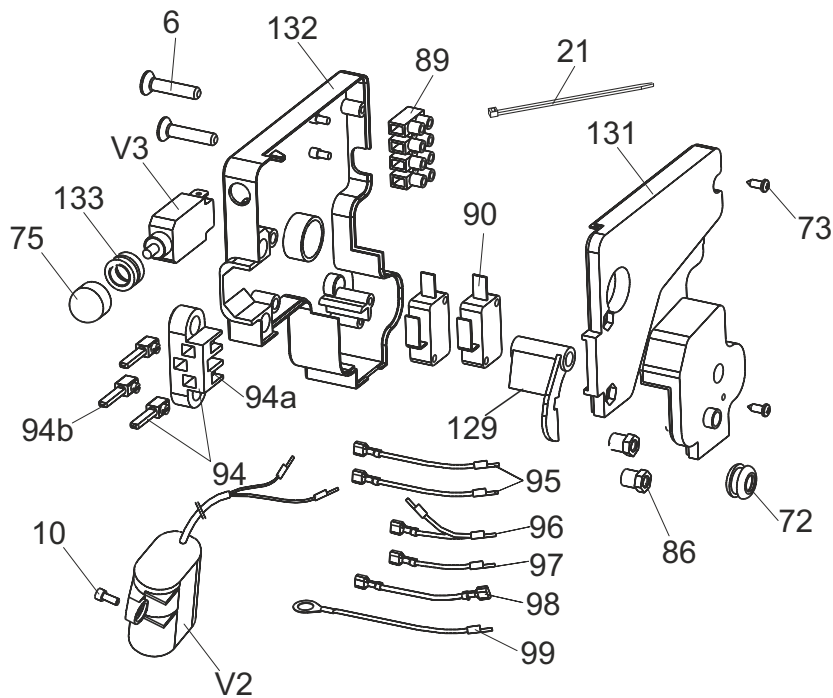
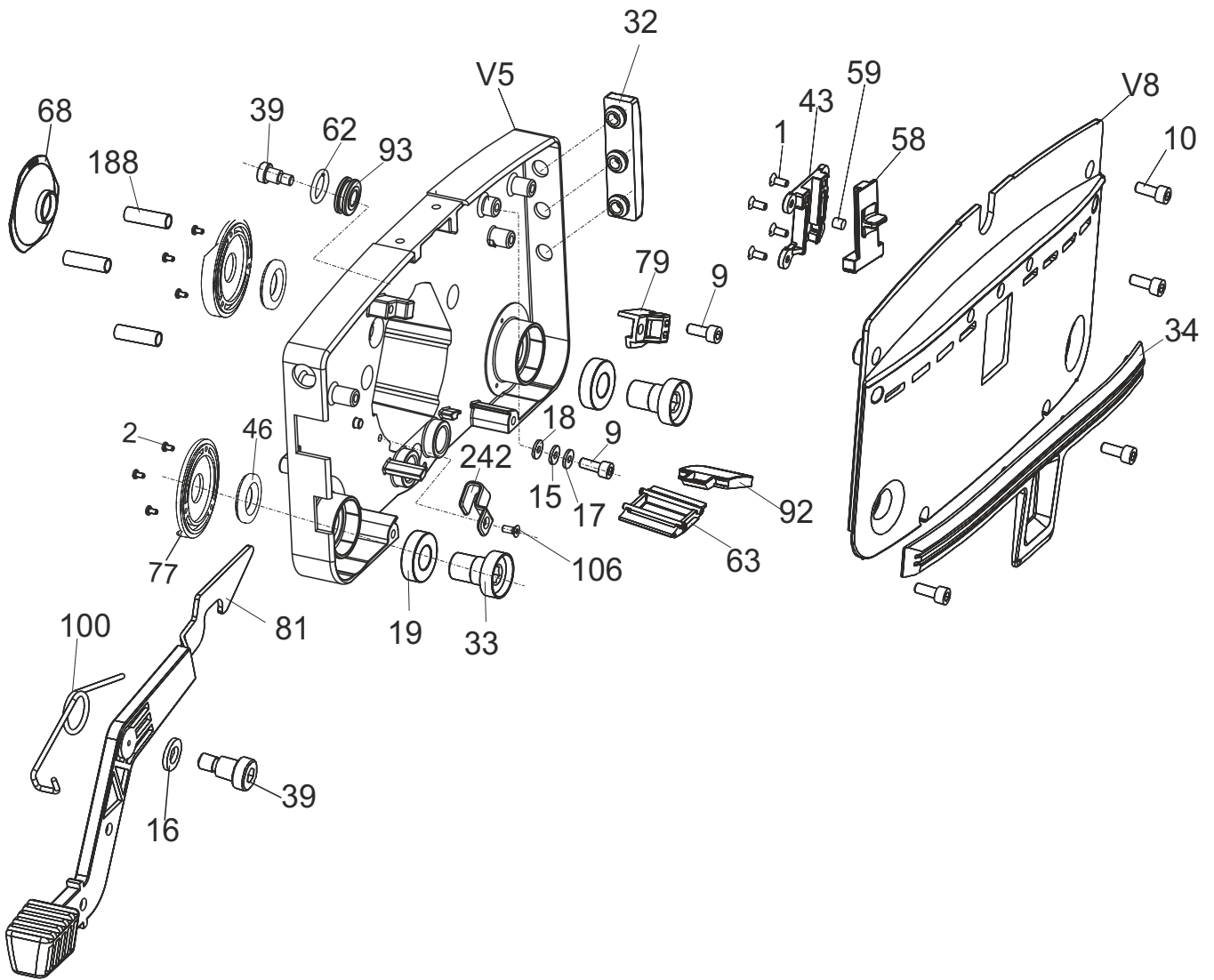


**NOTE:** Item no 9 is not included in assy 260.

## HOUSING - DRIVE SIDE - MW 240/240P

| SL.NO | PART NO      | DESCRIPTION                 | SIZE     | QTY |
|-------|--------------|-----------------------------|----------|-----|
| 1     | 90-0258-0000 | CSK SCREW                   | M4X10    | 4   |
| 2     | 90-0001-0000 | CRPH SCREW                  | M3X6     | 6   |
| 7     | 90-0143-0000 | CSK SCREW                   | M6X14    | 2   |
| 9     | 90-0293-0000 | ALLEN SCREW                 | M6X10    | 2   |
| 10    | 90-0144-0000 | ALLEN SCREW                 | M6X16    | 7   |
| 11    | 90-0005-0000 | ALLEN SCREW                 | M6X20    | 2   |
| 19    | 02-3847-0000 | BEARING                     | 6003 2RS | 8   |
| 20    | 90-0598-0000 | BUSH SHAFT MOTOR            |          | 1   |
| 24    | 90-0011-0000 | BELT                        | 500 5 M  | 1   |
| 25    | 90-0012-0000 | BELT                        | 425 5 M  | 1   |
| 28    | 90-0152-0000 | WASHER                      |          | 2   |
| 32    | 90-0154-0500 | BUMPER FRONT                |          | 1   |
| 34    | 90-0156-0000 | BUMPER COVER                |          | 1   |
| 39    | 90-0154-0000 | STUB AXLE                   |          | 1   |
| 42    | 90-0024-0500 | BRUSH SLIDER - TEAL         |          | 1   |
| 43    | 90-0025-0000 | SLIDER HOUSING              |          | 1   |
| 46    | 90-0027-0000 | SEAL                        |          | 2   |
| 59    | 90-0035-0000 | PIN                         |          | 1   |
| 62    | 90-0176-0000 | O' RING                     |          | 1   |
| 63    | 90-0040-0000 | SHIELD                      |          | 1   |
| 77    | 90-0020-0000 | CAP                         |          | 2   |
| 92    | 90-0267-0000 | SHIELD                      |          | 2   |
| 93    | 90-0294-0000 | ROLLER                      |          | 1   |
| 111   | 90-0061-0000 | BRUSH SPROCKET              |          | 2   |
| 114   | 90-0063-0000 | GEAR SPROCKET               |          | 2   |
| 115   | 90-0065-0000 | IDLER ASSY                  |          | 1   |
| 116   | 90-0197-0000 | IDLER ASSY                  |          | 1   |
| 260   | 90-0499-0000 | DRUM PINION ASSY            |          | 1   |
| 311   | 90-0651-0000 | HOUSING ASSY - GEAR SUPPORT |          | 1   |
| 395   | 90-0650-0000 | GEAR - LH & RH NEW - KIT    |          | 1   |
| V7    | 90-0330-0500 | DRIVE HOUSING - BLACK       |          | 1   |
| V8    | 90-0126-0500 | COVER - BLACK               |          | 1   |

# HOUSING - IDLE SIDE - MW 240



## HOUSING - IDLE SIDE - MW 240

| SL.NO | PART NO      | DESCRIPTION             | SIZE       | QTY |
|-------|--------------|-------------------------|------------|-----|
| 1     | 90-0258-0000 | CSK SCREW               | M4X10      | 4   |
| 2     | 90-0001-0000 | CRPH SCREW              | M3X6       | 6   |
| 6     | 90-0261-0000 | CSK SCREW               | M5X25      | 2   |
| 9     | 90-0293-0000 | ALLEN SCREW             | M6X10      | 1   |
| 10    | 90-0144-0000 | ALLEN SCREW             | M6X16      | 6   |
| 15    | 90-0147-0000 | WASHER                  | 6.4X12X1.6 | 1   |
| 16    | 90-0395-0000 | WASHER                  | 9X17X1.6   | 1   |
| 17    | 90-0298-0000 | SPRING WASHER           | M6         | 1   |
| 18    | 90-0148-0000 | TOOTHED WASHER          | M6         | 1   |
| 19    | 02-3847-0000 | BEARING                 | 6003 2RS   | 2   |
| 21    | 90-0149-0000 | WIRE TIE                |            | 2   |
| 32    | 90-0154-0500 | BUMPER FRONT            |            | 1   |
| 33    | 90-0155-0000 | BUSH                    |            | 2   |
| 34    | 90-0156-0000 | BUMPER                  |            | 1   |
| 39    | 90-0123-0000 | STUB AXLE               |            | 1   |
| 43    | 90-0025-0000 | SLIDER HOUSING          |            | 1   |
| 46    | 90-0027-0000 | SEAL                    |            | 2   |
| 58    | 90-0033-0500 | TRANSPORT SLIDER - TEAL |            | 1   |
| 59    | 90-0035-0000 | PIN                     |            | 1   |
| 62    | 90-0176-0000 | O' RING                 |            | 1   |
| 63    | 90-0040-0000 | SHIELD                  |            | 1   |
| 68    | 90-0179-0000 | FAN COVER               |            | 1   |
| 72    | 90-0045-0000 | GROMMET                 |            | 1   |
| 73    | 90-0183-0000 | SELF TAPPING SCREW      |            | 2   |
| 75    | 90-0048-0000 | CAP                     |            | 1   |
| 77    | 90-0020-0000 | CAP                     |            | 2   |
| 79    | 90-0188-0000 | STOPPER                 |            | 1   |
| 81    | 90-0259-0500 | PEDAL - TEAL            |            | 1   |
| 86    | 90-0297-0000 | NUT                     |            | 2   |
| 89    | 90-0269-0000 | CONNECTOR               |            | 1   |
| 90    | 90-0283-0000 | SWITCH                  |            | 2   |
| 92    | 90-0267-0000 | SHIELD                  |            | 1   |
| 93    | 90-0294-0000 | ROLLER                  |            | 1   |
| 94    | 90-0290-0000 | SOCKET ASSY             |            | 1   |
| 94a   | 90-0291-0000 | SOCKET                  |            | 1   |
| 94b   | 90-0292-0000 | TERMINAL                |            | 3   |

## HOUSING - IDLE SIDE - MW 240

| SL.NO | PART NO      | DESCRIPTION            | SIZE | QTY |
|-------|--------------|------------------------|------|-----|
| 95    | 90-0278-0000 | CABLE                  |      | 2   |
| 96    | 90-0279-0000 | CABLE                  |      | 1   |
| 97    | 90-0280-0000 | CABLE                  |      | 1   |
| 98    | 90-0281-0000 | CABLE                  |      | 1   |
| 99    | 90-0282-0000 | CABLE                  |      | 1   |
| 100   | 90-0260-0000 | SPRING-PEDAL           |      | 1   |
| 129   | 90-0265-0000 | LEVER SWITCH ACT       |      | 1   |
| 131   | 90-0262-0000 | INSULATION TOP         |      | 1   |
| 132   | 90-0263-0000 | INSULATION BOTTOM      |      | 1   |
| 133   | 90-0295-0000 | NUT                    |      | 1   |
| 188   | 90-0397-0000 | SLEEVE TIE ROD         |      | 3   |
| V2    | 90-0272-0000 | CAPACITOR (13 MFD)     |      | 1   |
| V3    | 90-0056-0000 | CIRCUIT BREAKER (3.5A) |      | 1   |
| V5    | 90-0329-0500 | IDLE HOUSING - BLACK   |      | 1   |
| V8    | 90-0126-0500 | COVER - BLACK          |      | 1   |



## HOUSING - IDLE SIDE - MW 240P

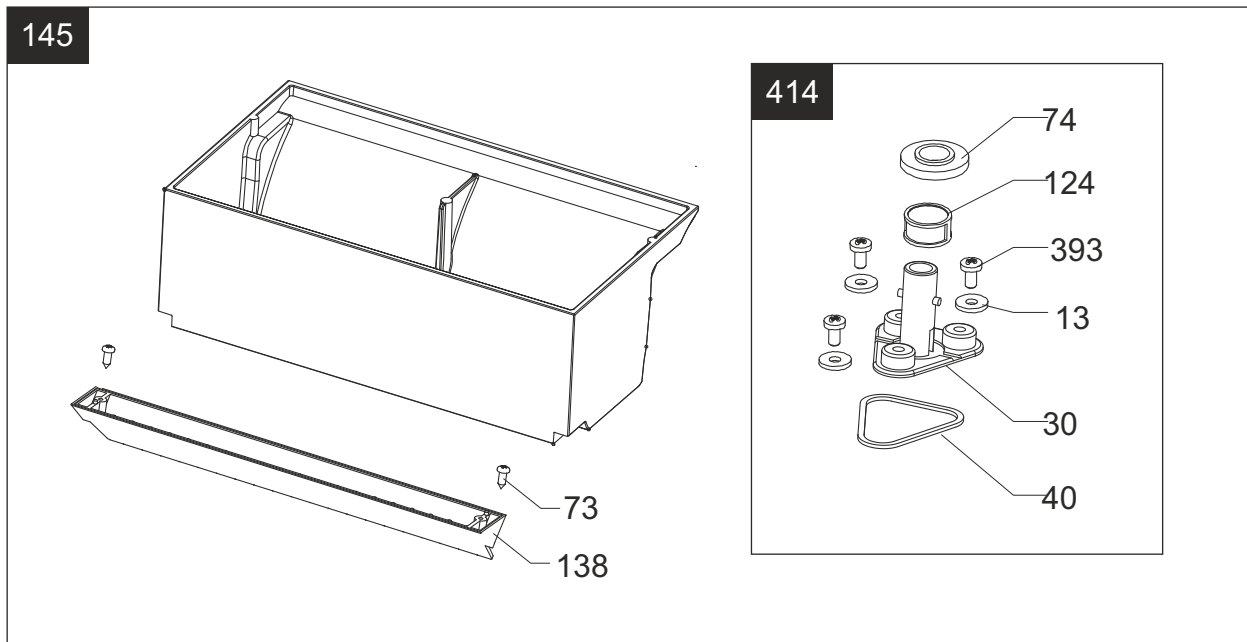
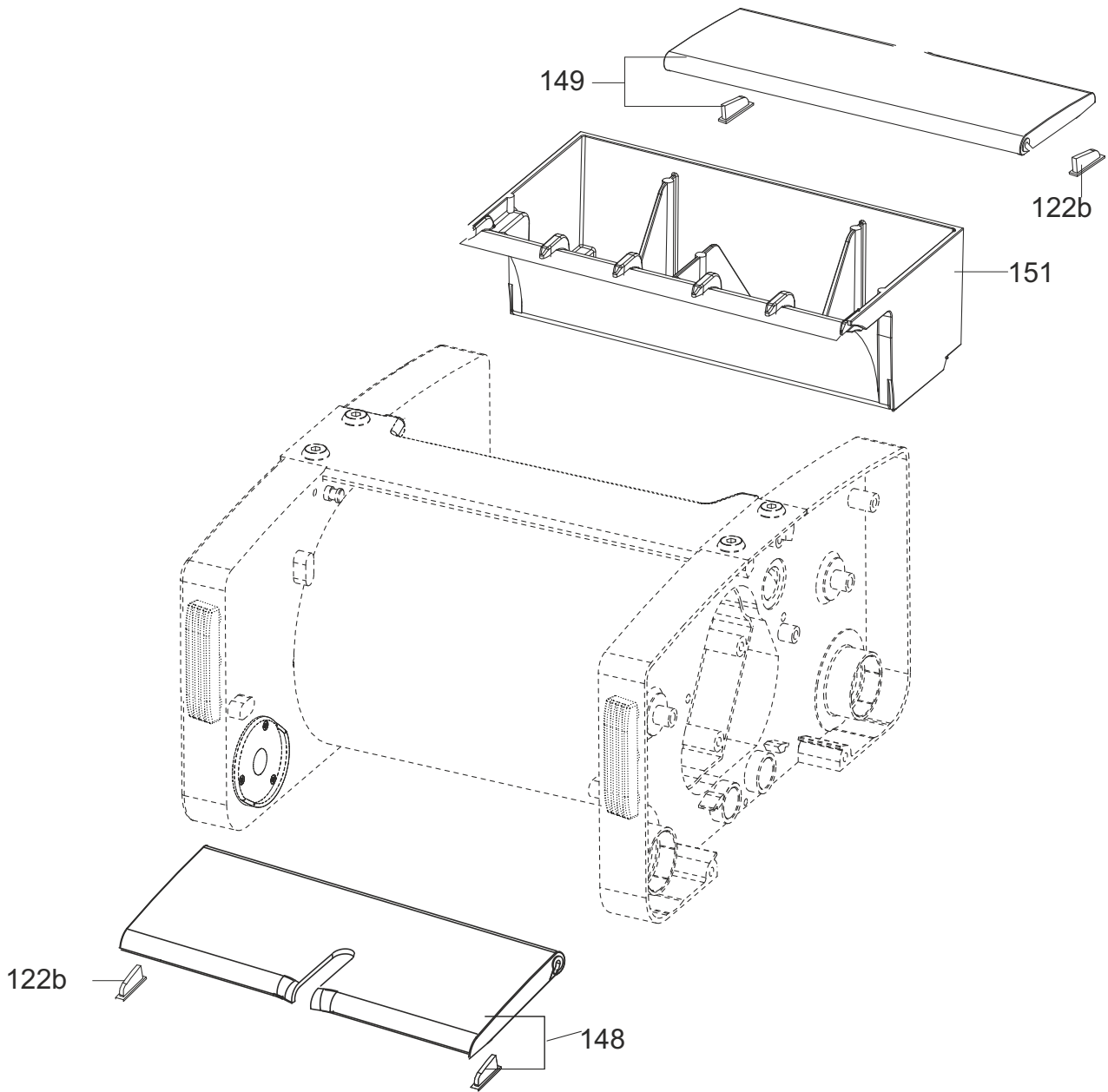
| SL.NO | PART NO      | DESCRIPTION             | SIZE       | QTY |
|-------|--------------|-------------------------|------------|-----|
| 1     | 90-0258-0000 | CSK SCREW               | M4X10      | 4   |
| 2     | 90-0001-0000 | CRPH SCREW              | M3X6       | 6   |
| 6     | 90-0261-0000 | CSK SCREW               | M5X25      | 2   |
| 9     | 90-0293-0000 | ALLEN SCREW             | M6X10      | 1   |
| 10    | 90-0144-0000 | ALLEN SCREW             | M6X16      | 6   |
| 15    | 90-0147-0000 | WASHER                  | 6.4X12X1.6 | 1   |
| 16    | 90-0395-0000 | WASHER                  | 9.0X17X1.6 | 1   |
| 17    | 90-0298-0000 | SPRING WASHER           | M6         | 1   |
| 18    | 90-0148-0000 | TOOTHED WASHER          | M6         | 1   |
| 19    | 02-3847-0000 | BEARING                 | 6003 2RS   | 2   |
| 21    | 90-0149-0000 | WIRE TIE                |            | 2   |
| 32    | 90-0154-0000 | BUMPER                  |            | 1   |
| 33    | 90-0155-0000 | BUSH                    |            | 2   |
| 34    | 90-0156-0000 | BUMPER                  |            | 1   |
| 39    | 90-0123-0000 | STUB AXLE               |            | 1   |
| 43    | 90-0025-0000 | SLIDER HOUSING          |            | 1   |
| 46    | 90-0027-0000 | SEAL                    |            | 2   |
| 58    | 90-0033-0500 | TRANSPORT SLIDER - TEAL |            | 1   |
| 59    | 90-0035-0000 | PIN                     |            | 1   |
| 62    | 90-0176-0000 | O' RING                 |            | 1   |
| 63    | 90-0040-0000 | SHIELD                  |            | 1   |
| 68    | 90-0179-0000 | FAN COVER               |            | 1   |
| 72    | 90-0045-0000 | GROMMET                 |            | 1   |
| 73    | 90-0183-0000 | SELF TAPPING SCREW      |            | 2   |
| 75    | 90-0048-0000 | CAP                     |            | 1   |
| 77    | 90-0020-0000 | CAP                     |            | 2   |
| 79    | 90-0188-0000 | STOPPER                 |            | 1   |
| 81    | 90-0259-0500 | PEDAL - TEAL            |            | 1   |
| 86    | 90-0297-0000 | NUT                     |            | 2   |
| 89    | 90-0269-0000 | CONNECTOR               |            | 1   |
| 90    | 90-0283-0000 | SWITCH                  |            | 2   |
| 92    | 90-0267-0000 | SHIELD                  |            | 1   |
| 93    | 90-0294-0000 | ROLLER                  |            | 1   |
| 94    | 90-0290-0000 | SOCKET ASSY             |            | 1   |
| 94a   | 90-0291-0000 | SOCKET                  |            | 1   |
| 94b   | 90-0292-0000 | TERMINAL                |            | 3   |



## HOUSING - IDLE SIDE - MW 240P

| SL.NO | PART NO      | DESCRIPTION            | SIZE | QTY |
|-------|--------------|------------------------|------|-----|
| 95    | 90-0278-0000 | CABLE                  |      | 2   |
| 96    | 90-0279-0000 | CABLE                  |      | 1   |
| 98    | 90-0281-0000 | CABLE                  |      | 1   |
| 99    | 90-0282-0000 | CABLE                  |      | 1   |
| 100   | 90-0260-0000 | SPRING-PEDAL           |      | 1   |
| 129   | 90-0265-0000 | LEVER SWITCH ACT       |      | 1   |
| 131   | 90-0262-0000 | INSULATION TOP         |      | 1   |
| 132   | 90-0263-0000 | INSULATION BOTTOM      |      | 1   |
| 133   | 90-0295-0000 | NUT                    |      | 1   |
| 175   | 90-0343-0000 | CABLE                  |      | 1   |
| 188   | 90-0397-0000 | SLEEVE TIE ROD         |      | 3   |
| 246   | 90-0477-0000 | GROMMET                |      | 2   |
| V2    | 90-0272-0000 | CAPACITOR (13 MFD)     |      | 1   |
| V3    | 90-0056-0000 | CIRCUIT BREAKER (3.5A) |      | 1   |
| V5    | 90-0330-0500 | IDLE HOUSING - BLACK   |      | 1   |
| V8    | 90-0126-0500 | COVER - BLACK          |      | 1   |

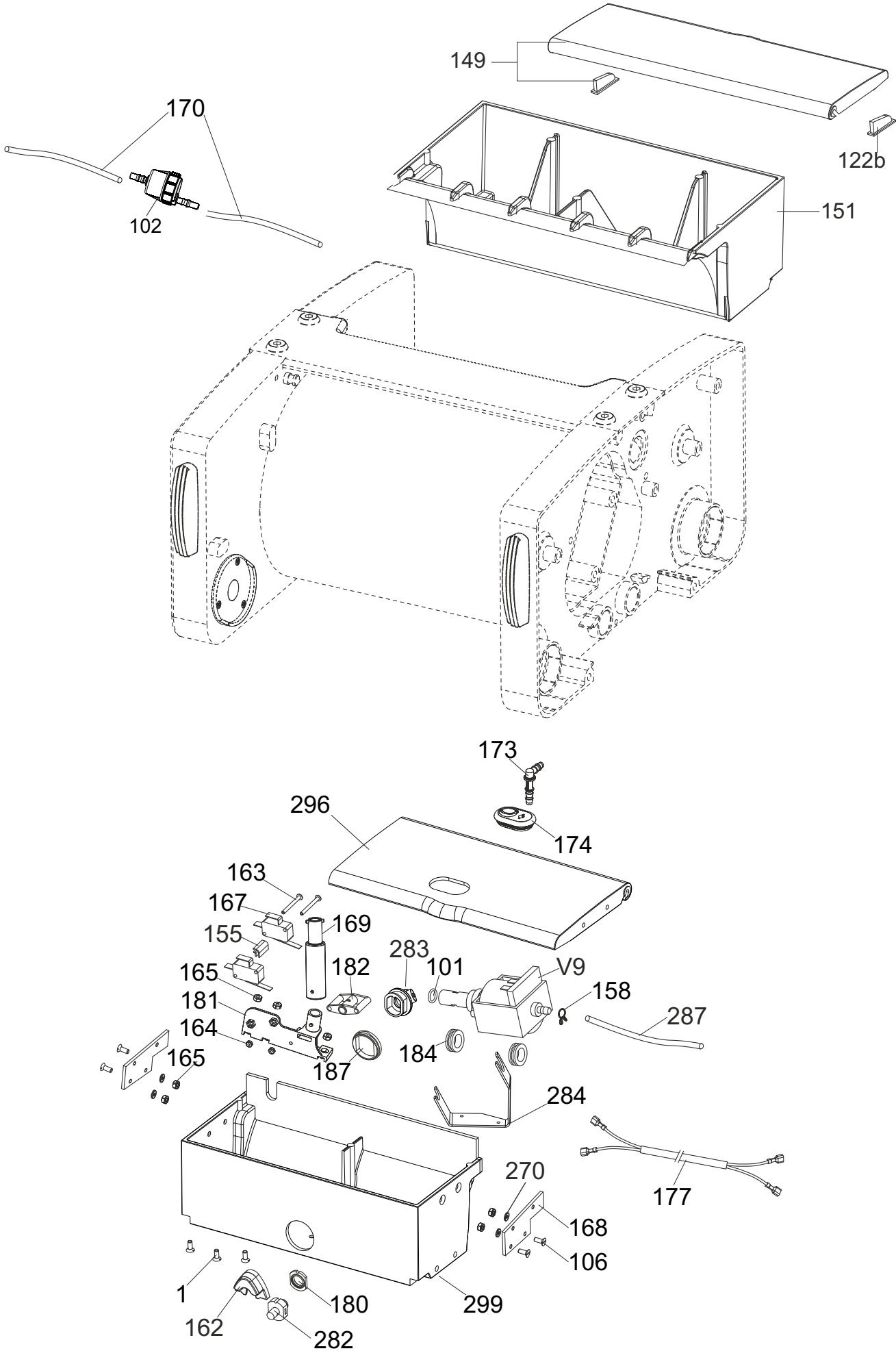
# TANK HOUSING - MW 240



## TANK HOUSING - MW 240

| SL.NO | PART NO      | DESCRIPTION                       | SIZE       | QTY |
|-------|--------------|-----------------------------------|------------|-----|
| 13    | 90-0007-0000 | WASHER                            | 4.2X12X1.6 | 3   |
| 30    | 90-0016-0000 | VALVE BODY                        |            | 1   |
| 40    | 90-0023-0000 | GASKET                            |            | 1   |
| 73    | 90-0183-0000 | SELF TAPPING SCREW                |            | 2   |
| 74    | 90-0047-0000 | SPACER                            |            | 1   |
| 122b  | 90-0055-0000 | LID PAD                           |            | 4   |
| 124   | 90-0076-0000 | FILTER                            |            | 1   |
| 138   | 90-0091-0000 | CHANNEL-TANK                      |            | 1   |
| 145   | 90-0106-0500 | TANK ASSY COMPLETE - FW240 - TEAL |            | 1   |
| 148   | 90-0108-0000 | LID ASSY-FRESH WATER              |            | 1   |
| 149   | 90-0109-0000 | LID ASSY-DIRTY WATER              |            | 1   |
| 151   | 90-0237-0500 | DIRTY WATER TANK - TEAL           |            | 1   |
| 393   | 90-0653-0000 | CR PAN HEAD SCREW SS304           | M4X10      | 3   |
| 414   | 05-3704-0000 | VALVE KIT - 24N/34N               |            | 1   |

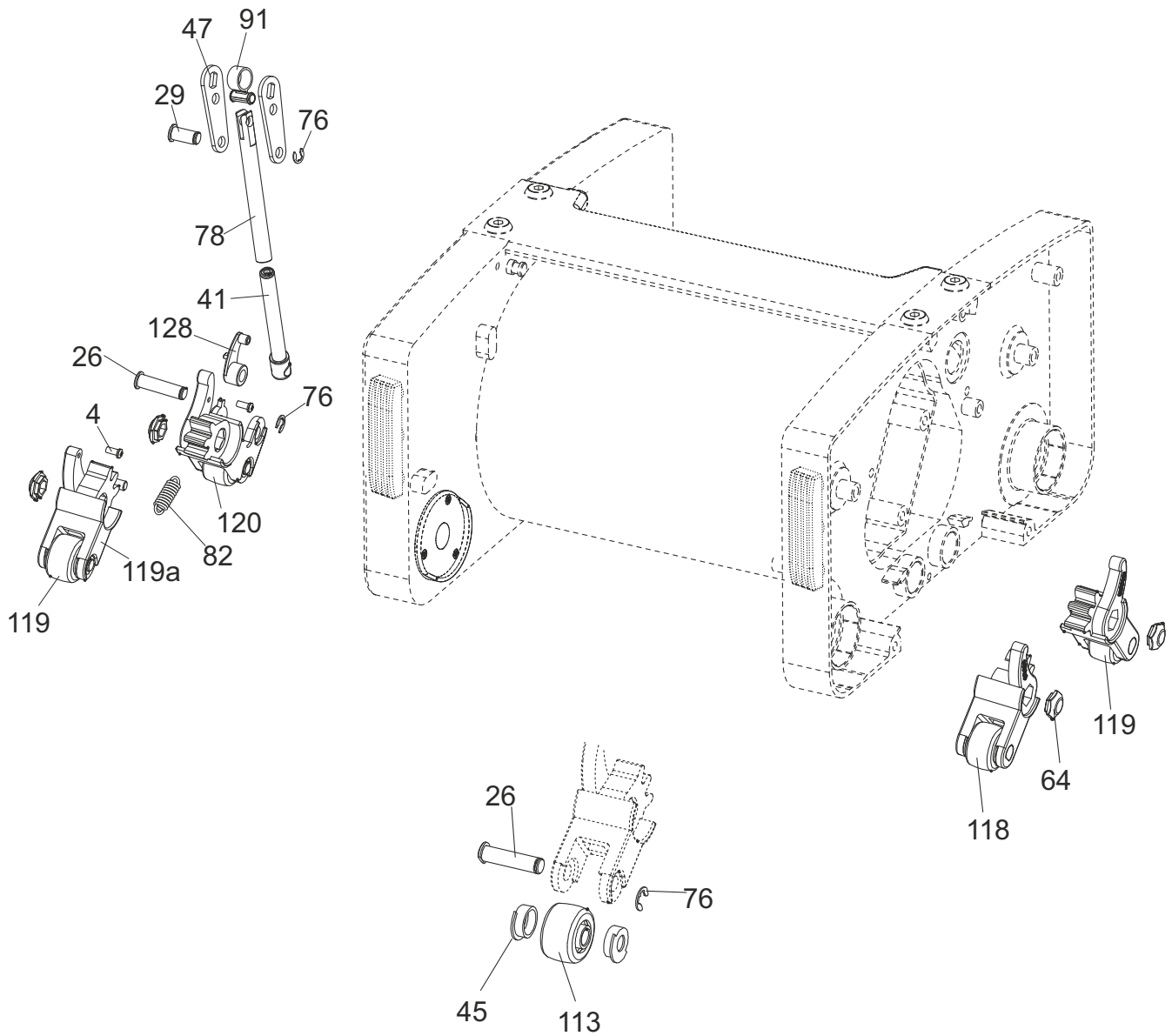
# PUMP HOUSING - MW 240P



## PUMP HOUSING - MW 240P

| SL.NO | PART NO      | DESCRIPTION                     | SIZE    | QTY |
|-------|--------------|---------------------------------|---------|-----|
| 1     | 90-0258-0000 | CSK SCREW                       | M4X10   | 3   |
| 101   | 90-0100-0000 | O-RING PUMP                     |         | 1   |
| 102   | 90-0113-0000 | FILTER                          |         | 1   |
| 122b  | 90-0055-0000 | LID PAD                         |         | 2   |
| 149   | 90-0109-0000 | LID ASSY - DIRTY WATER          |         | 1   |
| 151   | 90-0237-0500 | DIRTY WATER TANK - TEAL         |         | 1   |
| 155   | 90-0227-0000 | INSULATION                      |         | 1   |
| 158   | 90-0353-0000 | HOSE CLIP                       |         | 1   |
| 162   | 90-0112-0000 | BOOT                            |         | 1   |
| 163   | 90-0138-0000 | SCREW                           | M3X30   | 2   |
| 164   | 90-0140-0000 | HEX NUT                         | M3      | 2   |
| 165   | 90-0141-0000 | HEX NUT                         | M4      | 3   |
| 167   | 90-0057-0000 | SWITCH                          |         | 2   |
| 168   | 90-0349-0000 | STRIP LID                       |         | 2   |
| 169   | 90-0350-0000 | EXTENSION BUSH                  |         | 1   |
| 170   | 90-0403-0000 | HOSE - 165                      |         | 2   |
| 173   | 90-0404-0000 | HOSE CONNECTOR                  |         | 1   |
| 174   | 90-0405-0000 | BOOT - LID                      |         | 1   |
| 177   | 90-0344-0000 | CABLE                           |         | 1   |
| 180   | 90-0093-0000 | SEAL NOZZLE                     |         | 1   |
| 181   | 90-0209-0000 | BASE SWITCH                     |         | 1   |
| 182   | 90-0212-0000 | LEVER                           |         | 1   |
| 184   | 90-0559-0000 | SUPPORT RING                    |         | 2   |
| 187   | 90-0099-0000 | SPACER                          |         | 1   |
| 106   | 90-0599-0000 | CSK SCREW                       | M4X12   | 1   |
| 270   | 90-0646-0000 | WASHER                          | 8X4X0.5 | 4   |
| 282   | 90-0641-0000 | NOZZLE ASSY COMPLETE 24 P       |         | 1   |
| 283   | 90-0643-0000 | ADAPTOR NOZZLE - 24             |         | 1   |
| 284   | 90-0640-0000 | CLAMP PUMP 24                   |         | 1   |
| 287   | 90-0642-0000 | HOSE - 200                      |         | 1   |
| 296   | 90-0645-0500 | LID PUMP HOUSING - TEAL         |         | 1   |
| 299   | 90-0644-0500 | PUMP HOUSING W/LABEL 24P - TEAL |         | 1   |
| V9    | 04-3393-0000 | PUMP (230V, 50Hz)               |         | 1   |

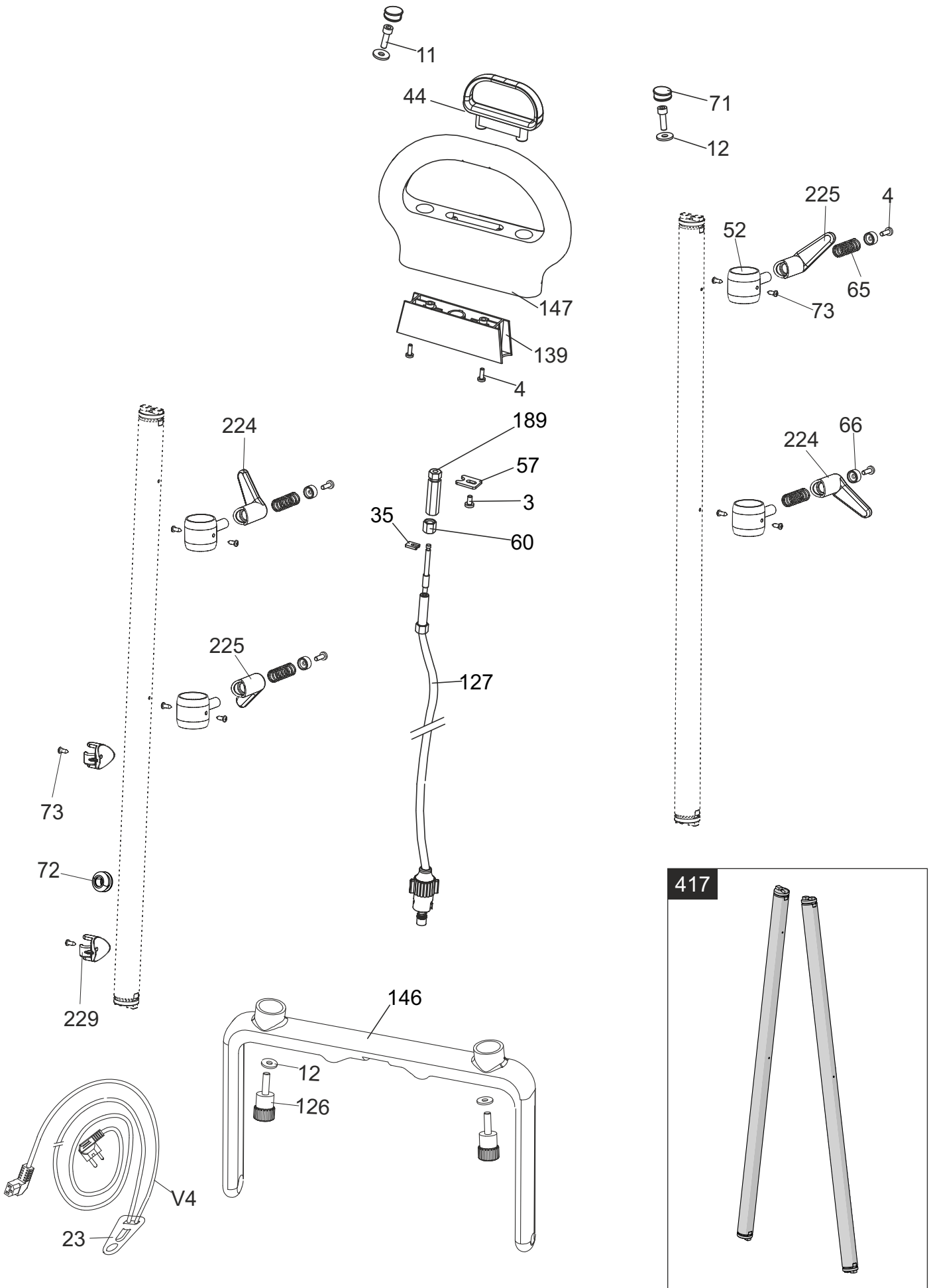
# LEVER & GUIDE LINK MECHANISM - MW 240/240P



# LEVER & GUIDE LINK MECHANISM - MW 240/240P

| SL.NO | PART NO      | DESCRIPTION  | SIZE  | QTY |
|-------|--------------|--------------|-------|-----|
| 4     | 90-0046-0000 | CRPH SCREW   | M4X12 | 2   |
| 26    | 90-0151-0000 | CLEVIS PIN   |       | 5   |
| 29    | 90-0153-0000 | CLEVIS PIN   |       | 1   |
| 41    | 90-0159-0000 | LINK         |       | 1   |
| 45    | 90-0162-0000 | SHIELD       |       | 8   |
| 47    | 90-0163-0000 | LEVER        |       | 2   |
| 64    | 90-0177-0000 | LEVER BUTTON |       | 4   |
| 76    | 90-0051-0000 | CIRCLIP      |       | 6   |
| 78    | 90-0186-0000 | LINK GUIDE   |       | 1   |
| 82    | 90-0284-0000 | SPRING       |       | 1   |
| 91    | 90-0257-0000 | BUSH         |       | 1   |
| 113   | 90-0196-0000 | WHEEL        |       | 4   |
| 118   | 90-0068-0000 | LEVER ASSY   |       | 1   |
| 119   | 90-0069-0000 | LEVER ASSY   |       | 2   |
| 120   | 90-0070-0000 | LEVER ASSY   |       | 1   |
| 128   | 90-0266-0000 | LEVER SWITCH |       | 1   |

# HANDLE ASSEMBLY - MW 240

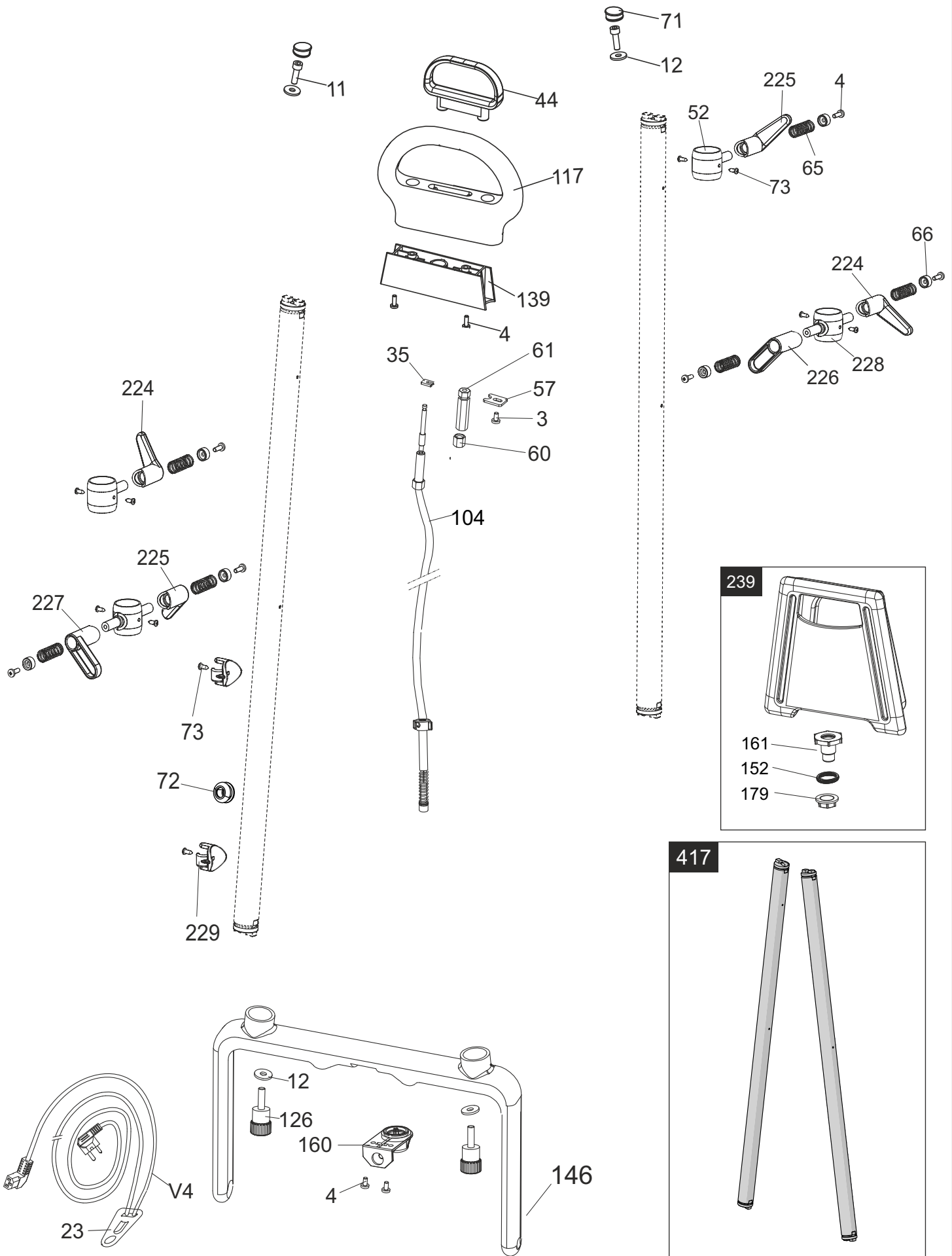




## HANDLE ASSEMBLY - MW 240

| SL.NO | PART NO      | DESCRIPTION              | SIZE     | QTY |
|-------|--------------|--------------------------|----------|-----|
| 3     | 90-0002-0000 | CRPH SCREW               | M4x8     | 1   |
| 4     | 90-0046-0000 | CRPH SCREW               | M4x12    | 10  |
| 11    | 90-0005-0000 | ALLEN SCREW              | M6x20    | 2   |
| 12    | 90-0006-0000 | WASHER                   | 6.4x18x2 | 4   |
| 23    | 02-3152-0000 | CABLE RETAINER           |          | 1   |
| 35    | 90-0018-0000 | CLAMP                    |          | 1   |
| 44    | 90-0026-0500 | PULL HANDLE - TEAL       |          | 1   |
| 52    | 90-0168-0000 | BASE-CABLE HOLDER        |          | 2   |
| 57    | 90-0032-0000 | CLAMP                    |          | 1   |
| 60    | 90-0038-0000 | NUT                      |          | 1   |
| 65    | 90-0041-0000 | SPRING                   |          | 6   |
| 66    | 90-0042-0000 | WASHER                   |          | 6   |
| 71    | 90-0044-0000 | PLUG                     |          | 2   |
| 72    | 90-0045-0000 | GROMMET                  |          | 1   |
| 73    | 90-0183-0000 | SELF TAPPING SCREW       |          | 10  |
| 127   | 90-0234-0000 | PULL CABLE               |          | 1   |
| 139   | 90-0207-0000 | CAP                      |          | 1   |
| 147   | 90-0233-0000 | TOP HANDLE               |          | 1   |
| 126   | 90-0296-0000 | KNOB                     |          | 2   |
| 146   | 90-0232-0000 | BOTTOM HANDLE            |          | 1   |
| 189   | 90-0465-0000 | SLEEVE                   |          | 1   |
| 224   | 90-0402-0000 | KNOB-CABLE HOLDER-II     |          | 2   |
| 225   | 90-0429-0000 | KNOB-CABLE HOLDER-I      |          | 2   |
| 229   | 90-0050-0000 | GUIDE                    |          | 2   |
| 417   | 90-0704-0500 | PIPE HANDLE KIT - BLACK  |          | 1   |
| V4    | 90-0299-0500 | POWER CORD (UK) - TEAL   |          | 1   |
| V4    | 90-0273-0500 | POWER CORD (EURO) - TEAL |          | 1   |

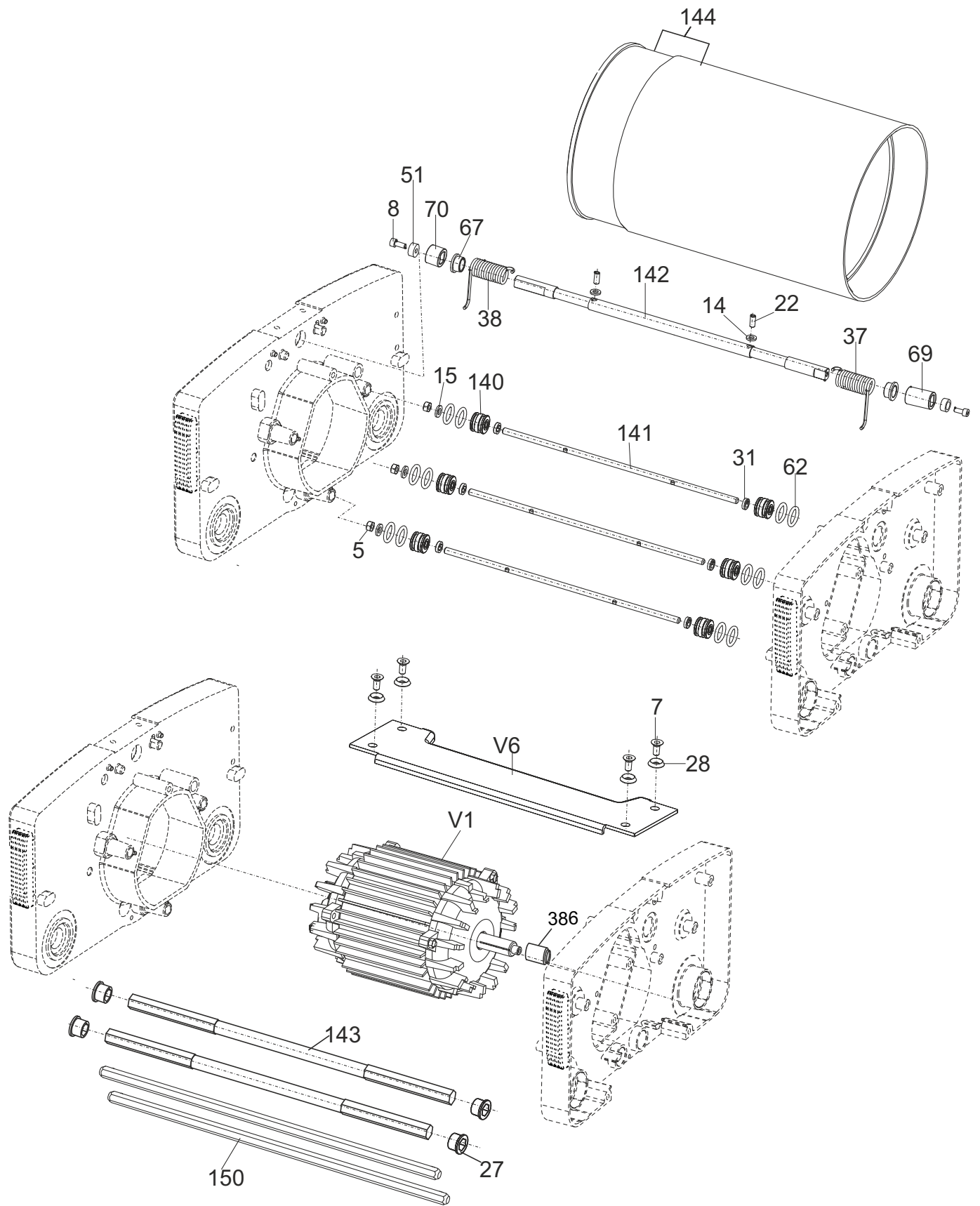
# HANDLE ASSEMBLY - MW 240P



## HANDLE ASSEMBLY - MW 240P

| SL.NO | PART NO      | DESCRIPTION                  | SIZE     | QTY |
|-------|--------------|------------------------------|----------|-----|
| 3     | 90-0002-0000 | CRPH SCREW                   | M4X8     | 1   |
| 4     | 90-0046-0000 | CRPH SCREW                   | M4X12    | 10  |
| 11    | 90-0005-0000 | ALLEN SCREW                  | M6X20    | 2   |
| 12    | 90-0006-0000 | WASHER                       | 6.4X18X2 | 4   |
| 23    | 02-3152-0000 | CABLE RETAINER               |          | 1   |
| 35    | 90-0018-0000 | CLAMP                        |          | 1   |
| 44    | 90-0026-0500 | PULL HANDLE - TEAL           |          | 1   |
| 52    | 90-0168-0000 | BASE - CABLE HOLDER          |          | 2   |
| 57    | 90-0032-0000 | CLAMP                        |          | 1   |
| 60    | 90-0038-0000 | NUT                          |          | 1   |
| 61    | 90-0465-0000 | SLEEVE                       |          | 1   |
| 65    | 90-0041-0000 | SPRING                       |          | 6   |
| 66    | 90-0042-0000 | WASHER                       |          | 6   |
| 71    | 90-0044-0000 | PLUG                         |          | 2   |
| 72    | 90-0045-0000 | GROMMET                      |          | 1   |
| 73    | 90-0183-0000 | SELF TAPPING SCREW           |          | 10  |
| 104   | 90-0347-0000 | PULL CABLE - P               |          | 1   |
| 117   | 90-0067-0000 | TOP HANDLE                   |          | 1   |
| 126   | 90-0296-0000 | KNOB                         |          | 2   |
| 139   | 90-0165-0000 | CAP                          |          | 1   |
| 146   | 90-0232-0000 | BOTTOM HANDLE                |          | 1   |
| 152   | 90-0101-0000 | GASKET                       |          | 1   |
| 160   | 90-0110-0000 | BASE VALVE                   |          | 1   |
| 161   | 90-0111-0000 | VALVE                        |          | 1   |
| 179   | 90-0092-0000 | NUT                          |          | 1   |
| 224   | 90-0402-0000 | KNOB - CABLE HOLDER - II     |          | 2   |
| 225   | 90-0429-0000 | KNOB - CABLE HOLDER - I      |          | 2   |
| 226   | 90-0443-0000 | KNOB - CABLE HOLDER - LH     |          | 1   |
| 227   | 90-0444-0000 | KNOB - CABLE HOLDER - RH     |          | 1   |
| 228   | 90-0445-0000 | BASE - CABLE AND TANK HOLDER |          | 2   |
| 229   | 90-0050-0000 | GUIDE                        |          | 2   |
| 239   | 90-0702-0000 | TANK ASSY COMPLETE - 3L      |          | 1   |
| 417   | 90-0704-0500 | PIPE HANDLE KIT - BLACK      |          | 1   |
| V4    | 90-0299-0500 | POWER CORD (UK) - TEAL       |          | 1   |
| V4    | 90-0273-0500 | POWER CORD (EURO) - TEAL     |          | 1   |

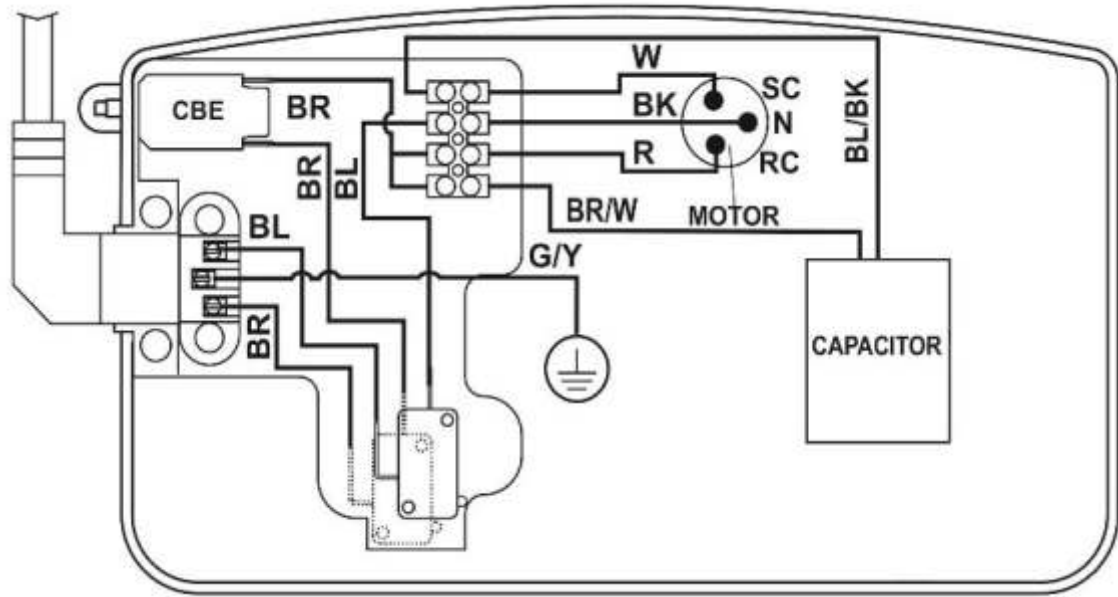
# MOTOR, DRUM & BRIDGE ASSEMBLY - MW 240/240P



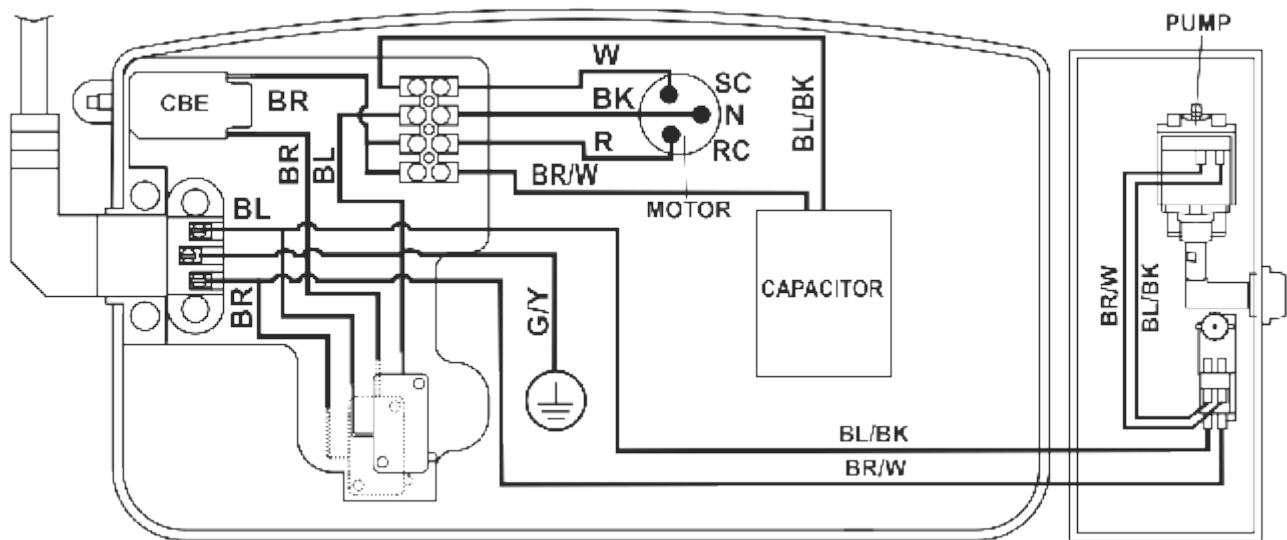
# MOTOR, DRUM & BRIDGE ASSEMBLY - MW 240/240P

| SL.NO | PART NO      | DESCRIPTION             | SIZE       | QTY |
|-------|--------------|-------------------------|------------|-----|
| 5     | 00-0600-0703 | HEX NUT                 | M6         | 3   |
| 7     | 90-0143-0000 | CSK SCREW               | M6X14      | 4   |
| 8     | 90-0004-0000 | ALLEN SCREW             | M4X10      | 2   |
| 14    | 90-0146-0000 | WASHER                  | 5.2X10X1.6 | 2   |
| 15    | 90-0147-0000 | WASHER                  | 6.4X12X1.6 | 3   |
| 22    | 90-0150-0000 | GRUB SCREW              | M5X12      | 2   |
| 27    | 90-0015-0000 | BUSH                    |            | 4   |
| 28    | 90-0152-0000 | WASHER BRIDGE           |            | 4   |
| 31    | 90-0017-0000 | WASHER                  |            | 6   |
| 37    | 90-0157-0000 | SPRING                  |            | 1   |
| 38    | 90-0158-0000 | SPRING                  |            | 1   |
| 51    | 90-0030-0000 | WASHER                  |            | 2   |
| 62    | 90-0176-0000 | O' RING                 |            | 12  |
| 67    | 90-0178-0000 | BUSH                    |            | 2   |
| 69    | 90-0180-0000 | BUSH                    |            | 1   |
| 70    | 90-0181-0000 | BUSH                    |            | 1   |
| 140   | 90-0215-0000 | ROLLER                  |            | 6   |
| 141   | 90-0097-0000 | TIE ROD                 |            | 3   |
| 142   | 90-0098-0000 | SHAFT                   |            | 1   |
| 143   | 90-0216-0000 | HEX SHAFT               |            | 1   |
| 144   | 90-0305-0000 | DRUM ASSY               |            | 1   |
| 150   | 90-0114-0000 | BRUSH SHAFT             |            | 2   |
| 386   | 90-0654-0000 | SHIELD SHAFT MOTOR - 24 |            | 1   |
| V1    | 90-0271-0000 | MOTOR (230V, 50Hz)      |            | 1   |
| V6    | 90-0245-0500 | BRIDGE HOUSING - BLACK  |            | 1   |

# ELECTRICAL SCHEMATIC DIAGRAM



Electrical Layout For N/T Model



Electrical Layout For P Model