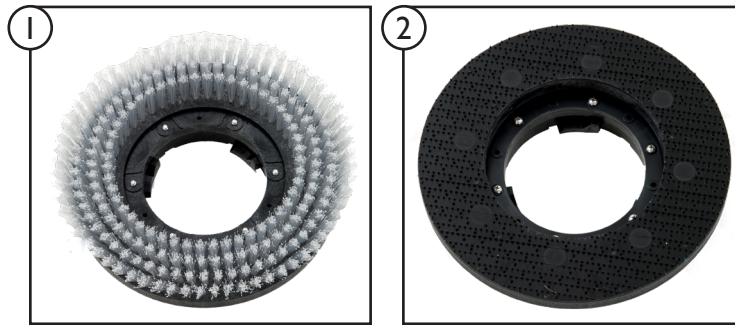


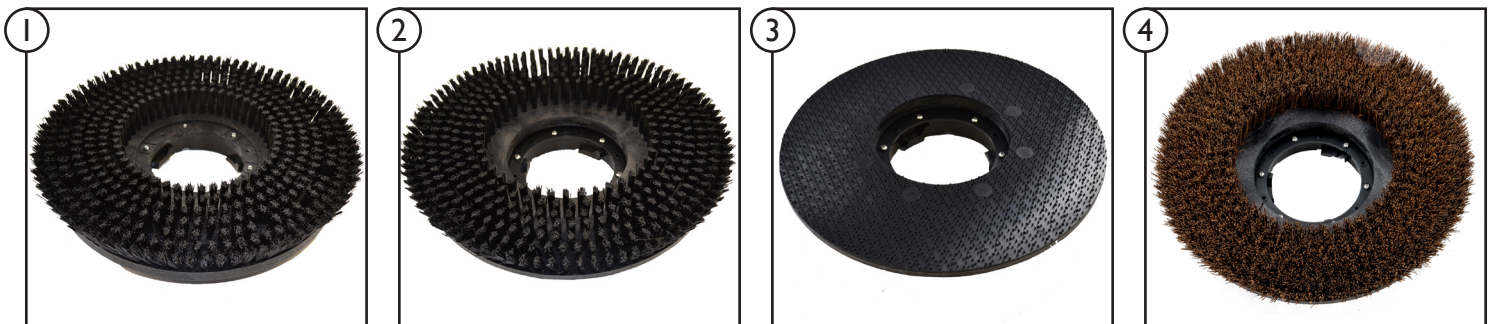
Orbis® Brush Guide

28cm / 11 inches



	Description	28 cm / 11 inches
1	Polypropylene scrubbing brush	05-4442-0500
2	Standard drive disc	05-4441-0500

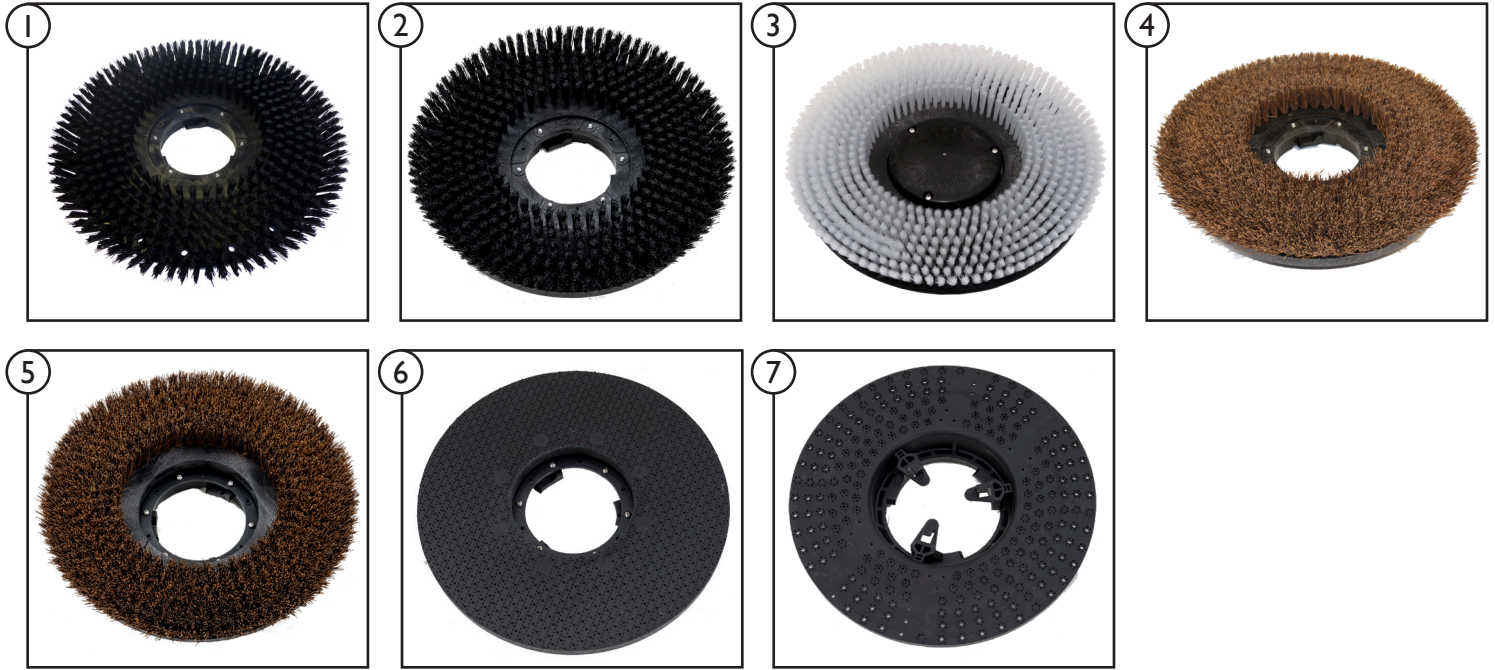
38cm / 15 inches



	Description	38 cm / 15 inches
1	Polypropylene scrubbing brush (Orbis 200 only)	05-4524-0500
2	Polypropylene scrubbing brush (Orbis 400)	05-4675-0500
3	Standard drive disc (Orbis 200)	05-4673-0500
4	Palmyra floor brush	05-4674-0500

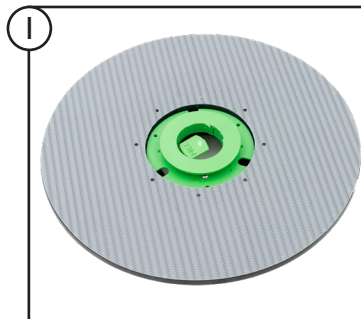
Please note this is just a guide. Modify tool selection to suit floor type. Colour of brushes subject to change.

43 cm / 17 inches (Orbis & Orbis Eco)



	Description	43 cm / 17 inches
1	Polypropylene scrubbing brush (Orbis 200 and Orbis eco 200 only)	05-3431-0500
2	Polypropylene scrubbing brush (Orbis 400 & Orbis Duo)	05-3469-0500
3	Carpet shampoo brush (Orbis 200 & Orbis Duo)	05-3433-0000
4	Bassine polishing brush (wet or dry use)	05-3434-0500
5	Palmyra floor brush	05-3435-0500
6	Flexi drive disc (Orbis 400, Orbis Duo and Orbis eco 400, Orbis eco Duo)	05-3437-0500
7	Eco Lok Drive board (Orbis eco 200 only)	05-4714-0000

50cm / 20 inches



	Description	50 cm / 20 inches
1	Standard drive disc	05-4181-0000

Please note this is just a guide. Modify tool selection to suit floor type. Colour of brushes subject to change.

Brush type	Palmyra	Bassine	Polypropylene	Tynex	Shampoo brush
Application	Dry use only. General purpose polishing	Light (wet & dry) polishing. Dry at 400 rpm to burnish or spray clean	Wet scrubbing	Heavy duty wet scrubbing	Carpet cleaning
Aggressiveness	Medium stiff	Medium stiff	Medium	Hard	Soft
FLOOR TYPE					
Linoleum	✓	✓	✓	-	-
Vinyl	✓	✓	✓	✓	-
Resilient (Pirelli)	✓	✓	✓	-	-
Polyolefin	✓	✓	-	-	-
Parquet	✓	✓	-	-	-
Ceramic tiles	-	-	✓	✓	-
Anti-slip tiles	-	-	✓	-	-
Stone carpet	-	-	✓	-	-
Terracotta	-	-	✓	✓	-
Terrazzo	✓	✓	✓	-	-
Concrete tiles	✓	✓	✓	✓	-
Marble	✓	✓	✓	-	-
Granite	✓	✓	✓	-	-
Epoxy floor	✓	✓	✓	-	-
Concrete	-	-	✓	✓	-
Carpet	-	-	-	-	✓

Please note this is just a guide. Modify tool selection to suit floor type. Colour of brushes subject to change.