

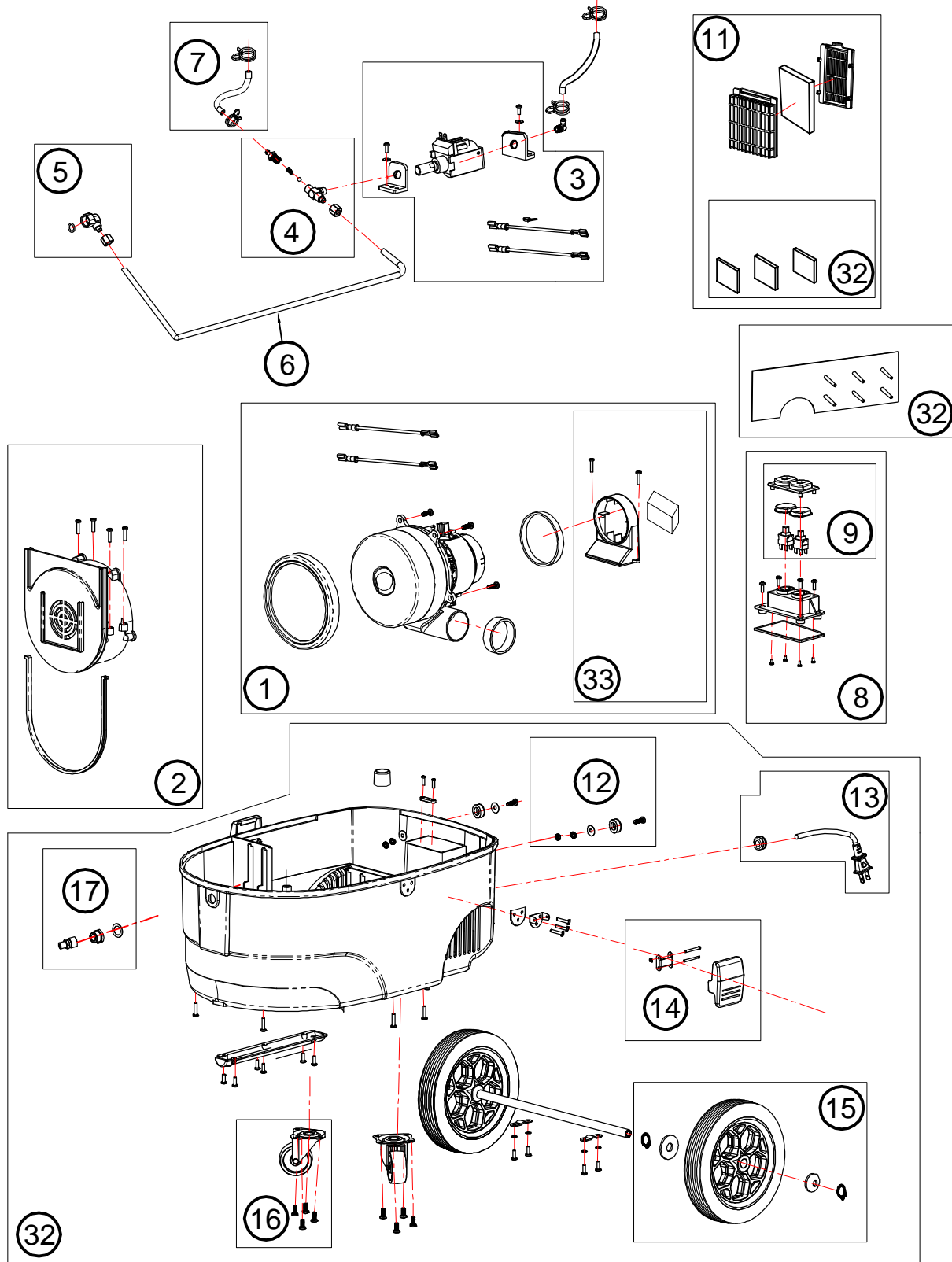
Model Ref.:HML - HYDROMIST LITE

Service Parts Kit List Issue 1 Dated 18-February-2008

Ref. Drawing 09-1100-0000 Issue A Dated 18-February-2008

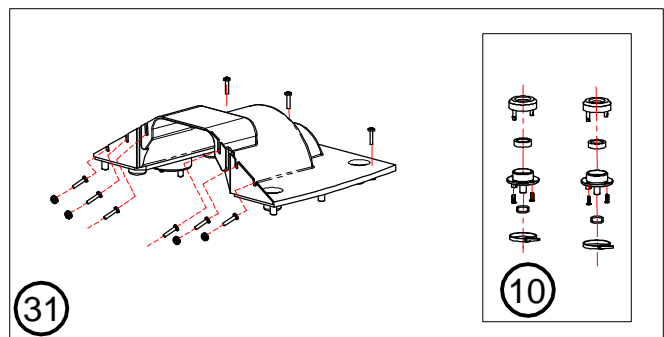
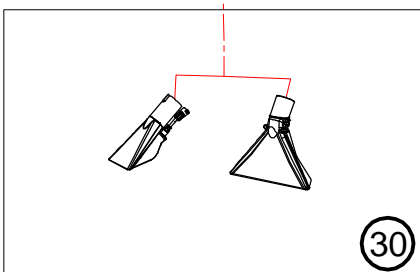
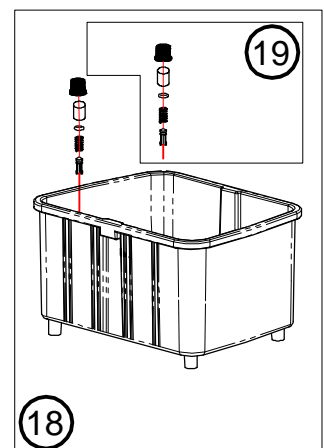
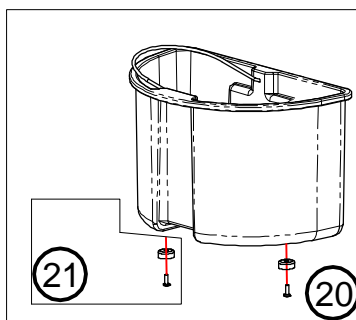
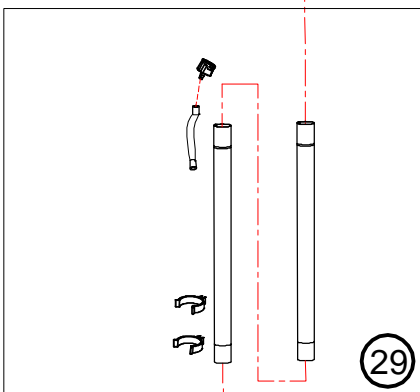
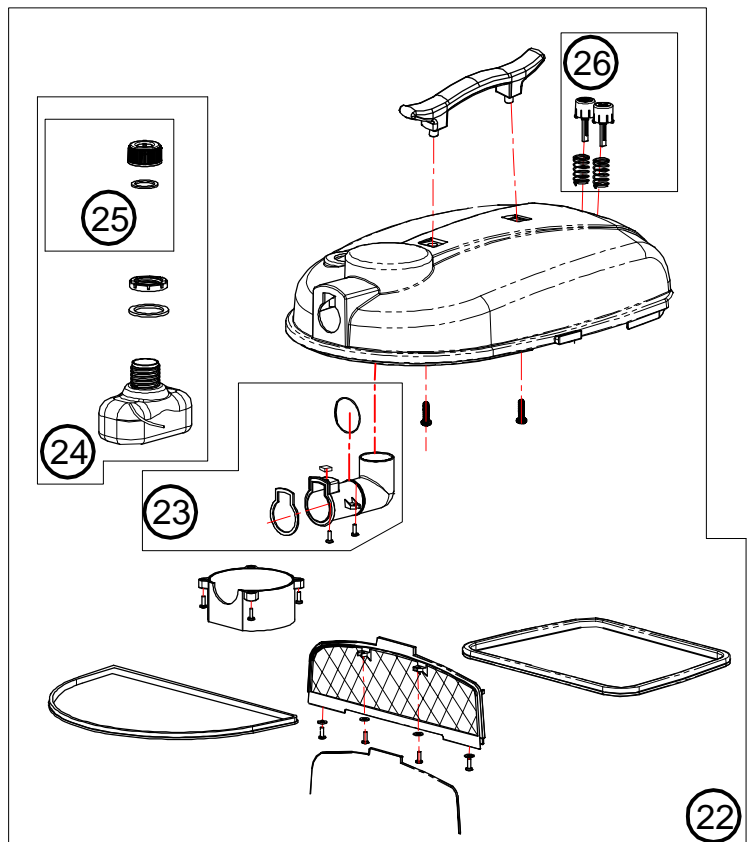
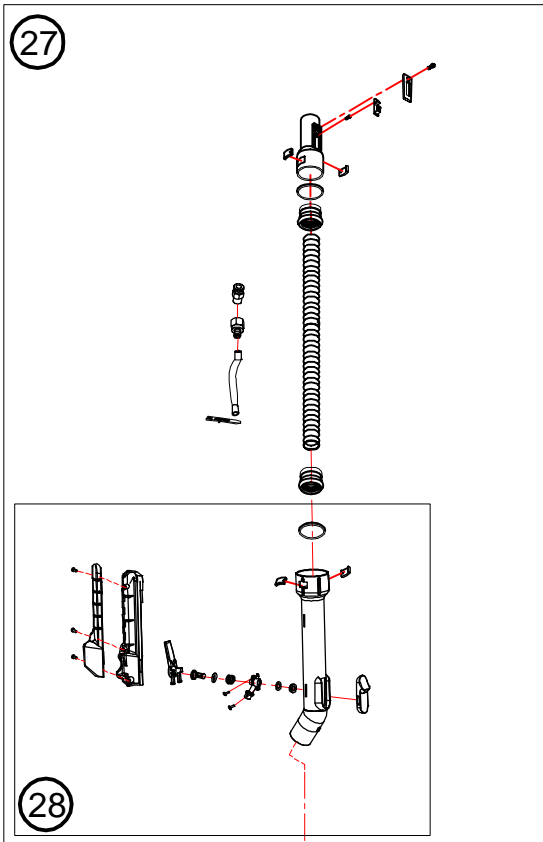
Kit Number	Part Number	DESCRIPTION
1	20-0127-0000	VAC MOTOR ASSY
2	20-0128-0000	VAC MOTOR HOLDER ASSY
3	20-0129-0000	PUMP ASSY
4	20-0130-0000	PUMP TEE PIECE ASSY
5	20-0131-0000	WATER FEED ELBOW ASSY
6	20-0132-0000	WATER FEED TUBE
7	20-0133-0000	PUMP FEED TUBE
8	20-0134-0000	POWER SWITCH ASSY
9	20-0135-0000	POWER SWITCH & COVER
10	20-0136-0000	WATER FEED COVER ASSY
11	20-0137-0000	VAC MOTOR FILTER ASSY
12	20-0138-0000	RUBBER BUFFER ASSY (2 SETS)
13	20-0139-0000	POWER CORD ASSY
14	20-0140-0000	CLIP ASSY (2 SETS)
15	20-0141-0000	WHEEL ASSEMBLY (PER WHEEL)
16	20-0142-0000	CASTOR ASSY (PER CASTOR)
17	20-0143-0000	QUICK RELEASE CONNECTOR ASSY
18	20-0144-0000	CLEAN WATER TANK ASSY
19	20-0145-0000	CLEAN WATER TANK FILTER ASSY (2 SETS)
20	20-0146-0000	WASTE WATER TANK ASSY
21	20-0147-0000	WASTE WATER TANK FEET ASSY (2 SETS)
22	20-0148-0000	TOP COVER ASSY
23	20-0149-0000	HOSE CONNECTOR TUBE ASSY
24	20-0150-0000	ANTI FOAM BOTTLE ASSY
25	20-0151-0000	ANTI FOAM BOTTLE LID ASSY
26	20-0152-0000	PUMP AND MOTOR BUTTON ASSY
27	20-0153-0000	HOSE ASSY
28	20-0154-0000	TRIGGER ASSY
29	20-0155-0000	EXTENSION WAND ASSY
30	20-0156-0000	NOZZLE ASSY
31	20-0159-0000	MOTOR COVER ASSY
32	20-0160-0000	HOUSING ASSY
33	20-0161-0000	AIR INLET ASSY

Truvox International Ltd.,
 Third Avenue, Millbrook,
 Southampton. Hampshire.
 SO15 0LE.
 Service & Spares: 023 80706601
 Customer Services: 023 80706600
 General Enquiries: 023 80702200



					SCALE NTS	TITLE Hydromist Lite Service Spares Kits		
					CHECKED M.D.C.	PRODUCT HYDROMIST LITE	DRAWING/PART No 09-1100-0000	SHEET 1 OF 2 SHEETS
18.02.08		A	NEW DRAWING	M.C.M.C	DRN M.D.C.			A4
DATE	CRO No	ISS	REVISION RECORD	DR	CHK			

Truvox International Ltd.,
 Third Avenue, Millbrook,
 Southampton. Hampshire.
 SO15 0LE.
 Service & Spares: 023 80706601
 Customer Services: 023 80706600
 General Enquiries: 023 80702200



					SCALE NTS	TITLE Hydromist Lite Service Spares Kits		
					CHECKED M.D.C.	PRODUCT	DRAWING/PART No	SHEET 2 OF 2 SHEETS
18.02.08		A	NEW DRAWING	M.C.M.C	DRN M.D.C.	HYDROMIST LITE	09-1100-0000	
DATE	CRO No	ISS	REVISION RECORD	DR	CHK			A4